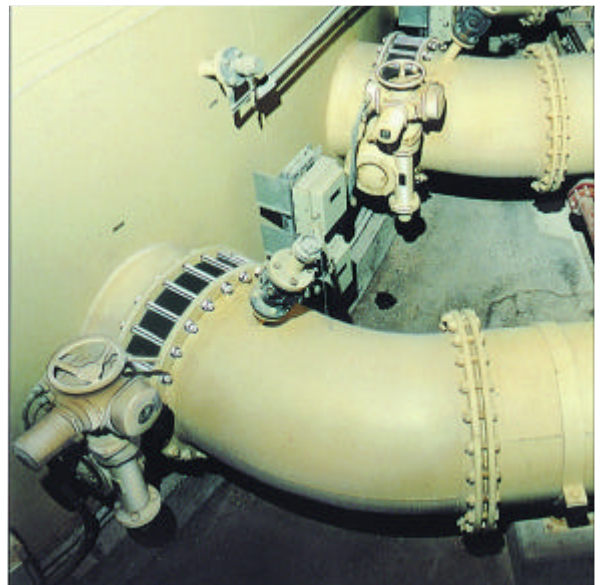


Xomox Butterfly Valves - Series 7500

- Xomox Series 7500 Butterfly Valves are used in demanding service applications.
- Xomox Series 7500 Butterfly Valves are reliable, low maintenance shut-off and control valves.
- Designed for use in gas and liquid pipelines, to a maximum working pressure of 230psi.
- Equipped to handle an operating temperature range of -30°F to +300°F.
- An economical alternative to plug, gate, and ball valves.

Xomox Series 7500 Butterfly Valves are extremely adaptable and have numerous application possibilities:

- Water treatment
- Chemical industry
- Waste effluent treatment
- Paper industry
- Sugar processing
- Construction
- Drilling / Production
- HVAC
- Cooling water circulation
- Pneumatic conveyors
- Compressed air
- Gas plants
- Desulpherization





Corrosion Free

- The body lining and disc are the only components of the valve that come into contact with the line medium. These components come in a wide variety of materials which resist degradation from the majority of line media.

Permanently Tight Closure

- Xomox Series 7500 Butterfly Valves close liquid and gas tight in both flow directions.
- The disc is pressed with a defined constant compression over the entire disc circumference, into the elastic body lining. The power transmission between disc and spindle is effected via a square drive and provides for an axial movement and self centering of the disc, which prevents overstress and wear of the elastomer.

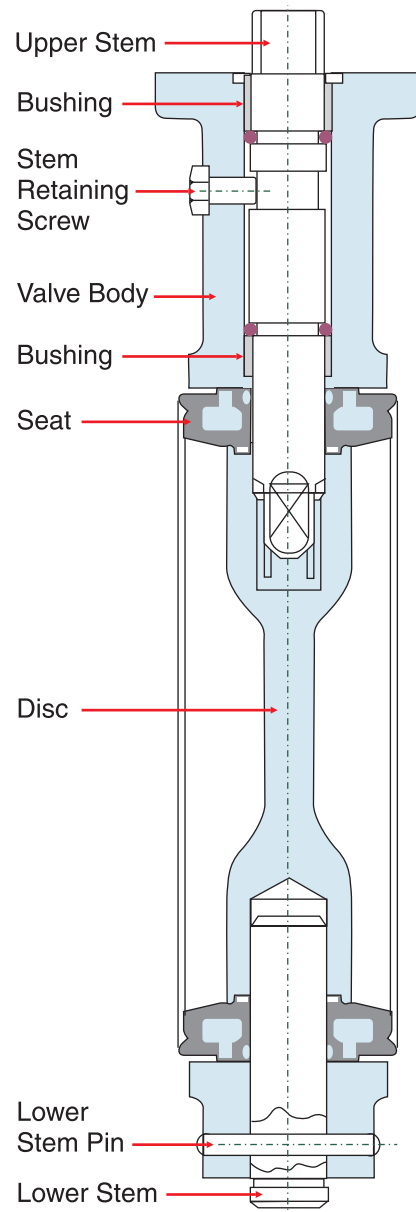
Suitable for Vacuum Service

- The replaceable body lining consists of a firm back-up ring onto which the elastic seating material is vulcanized, thus creating stability of the seat which prevents deformation of the elastomer during closing.
- The bond between elastomer and back-up ring is strong enough to enable the valve to be used with high flow rates and for vacuum service.

Standard Specifications

- ISO 9001
- Pipe diameters 2" to 24", ANSI 150.
- Temperature range -30°F to $+300^{\circ}\text{F}$.
- Face-to-face dimensions according to API 609 and ISO 5752 Series 20.
- Neck flange according to ISO 5211.
- Bubble tight shut-off
ANSI Class VI or better.

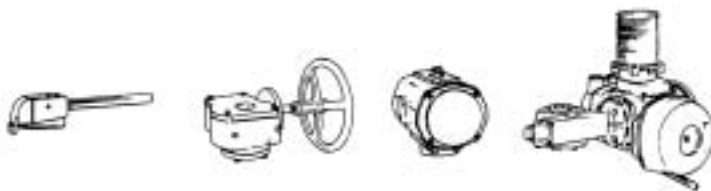
Basic construction



Series 7500 - Xomox Butterfly Valves

Possible Combinations

Body Type		Material	2" to 12"	14" to 24"
	Wafer Body	Cast Iron	ANSI 150	-
		Ductile Iron	ANSI 150	ANSI 150
		Cast Carbon Steel	ANSI 150	ANSI 150
	Lug Body	Ductile Iron	ANSI 150	ANSI 150
		Ductile Iron A395	ANSI 150	ANSI 150
		Cast Carbon Steel	ANSI 150	ANSI 150

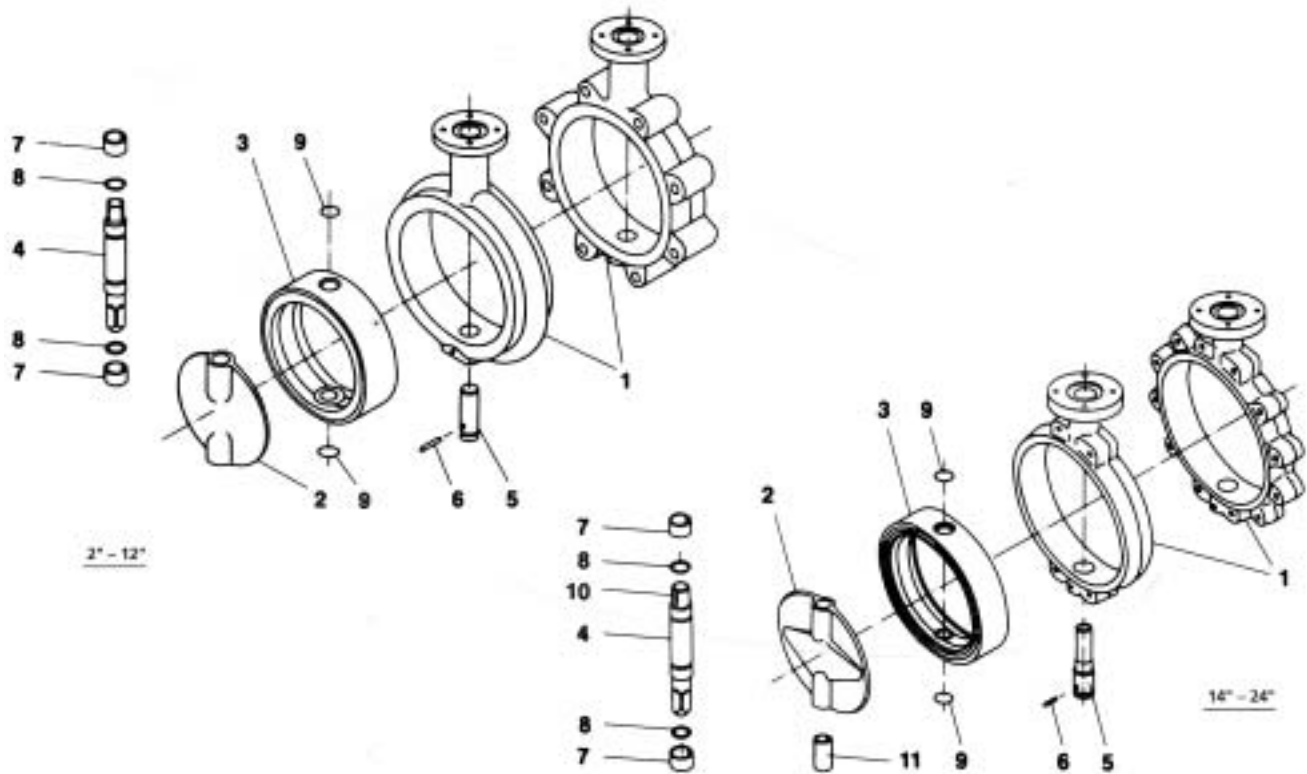
Component	Design	DN
	10 Position Lever	2" to 8"
	10 Position Lever (Lockable)	2" to 8"
	Infinitely Variable Lever	2" to 8"
	Square Nut	2" to 8"
	Gear Operator	2" to 24"
	Pneumatic Actuator	2" to 24"
	Hydraulic Actuator	2" to 24"
	Electric Actuator	2" to 24"



Component	DN	Material
Upper Stem	2" to 24"	Stainless Steel grade ASTM A477
		Stainless Steel grade ASTM A479
Seat	2" to 24"	Buna-N
		EPDM
		Fluoroelastomer
		Hypalon
Disc	2" to 10"	SBR (Copolymer of Styrene + Butadiene ⁽²⁾)
	2" to 20"	HNBR (Hydrogenated Nitrile)
	2" to 24"	Aluminum - Bronze
		Stainless Steel grade ASTM A351 CF-8M
Ductile Iron - Nickel Plated		
Ductile Iron - Rilsan Coated		
Stainless Steel (Polished) grade ASTM A351 CF-8M		
Ductile Iron - ECTFE Coated		
Hastelloy C 4C ^{(1) (2)}		
Duplex Steel ^{(1) (2)}		
Ductile Iron Hostalen GUR Lined ⁽¹⁾		
Hastelloy C 22C ^{(1) (2)}		
Lower Stem	2" to 24"	Stainless Steel grade ASTM A477
		Stainless Steel grade ASTM A479

(1) Only for shut-off pressure 150psi. (2) Only on inquiry.

Material Specifications



Components in contact with line fluids

Component	Material Designation	Temperature Range
Disc (2)	Ductile Iron, Nickel Plated	-4°F, Upper temperature limited by seat
	Ductile Iron, Rilsan Coated	-4°F to +176°F
	Ductile Iron, ECTFE Coated	-4°F, Upper temperature limited by seat
	Aluminum Bronze	Limited by seat
	Stainless Steel	Limited by seat
	Duplex Steel	Limited by seat
	Hastelloy C 4C	Limited by seat
	Hastelloy C 22C	Limited by seat
	Ductile Iron, Hostalen GUR Lined	Minus Temperature limited by seat, to +158°F
Seat (3)	Nitrile (Copolymer of Butadiene + Acrylonitrile)	-4°F to +176°F (up to 230°F for intermittent operation)
	Hypalon (Chlorosulphonated Polyethylene)	-4°F to +176°F (up to 212°F for intermittent operation)
	Viton (Copolymer of Vinylidene - Fluoride)	20°F to +300°F
	EPDM (Ethylene-Propylene-Terpolymer)	-31°F to +250°F
	EPDM-H (Ethylene-Propylene-Terpolymer)	-31°F to +284°F
	SBR (Copolymer of Styrene + Butadiene)	-4°F to +176°F
	HNBR (Hydrogenated Nitrile)	-4°F to +248°F

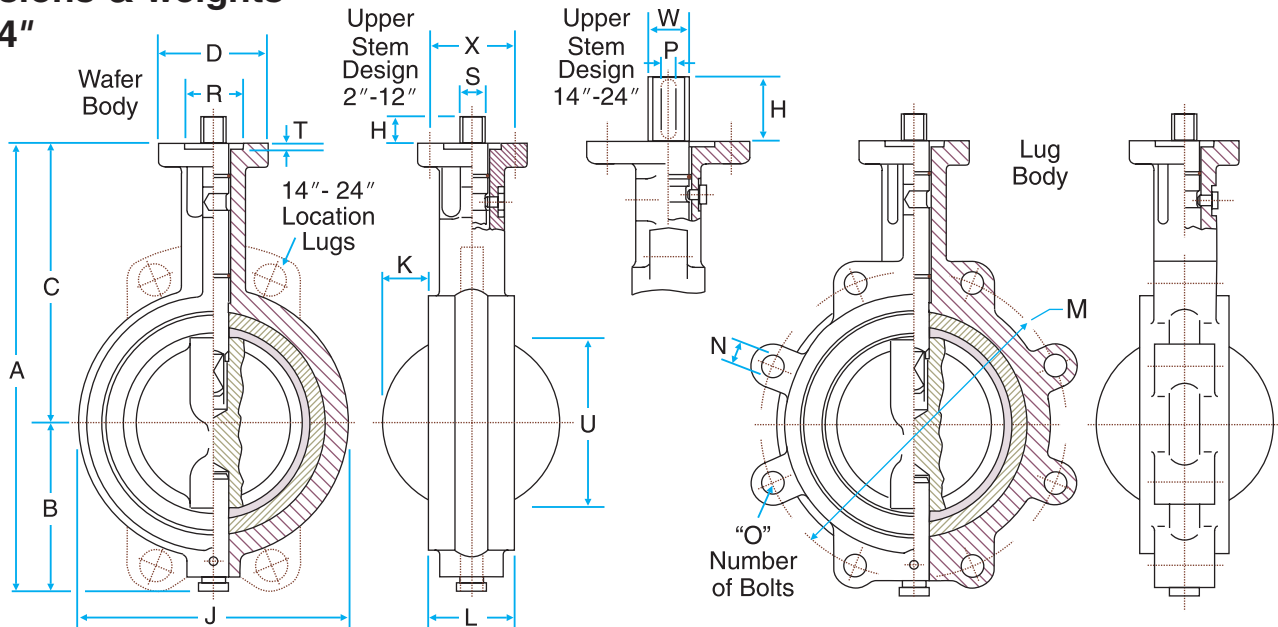
Components not in contact with line fluids

Component	Material
Body (1)	Cast Iron (only 2" to 12")
	Ductile Iron
	Cast Carbon Steel
Upper and lower stem (4) (5)	Stainless Steel A 477 - 420 Stainless Steel A 479 - 316
Pin (6)	Spring Steel
Bushing (7)	Composite Resin
Circlip (8)	Spring Steel, Zinc Plated
O-Ring (9)	Buna-N
Parallel Key (10)	Steel
Bushing (11)	Bronze

Series 7500 - Xomox Butterfly Valves

Dimensions & weights

2" to 24"

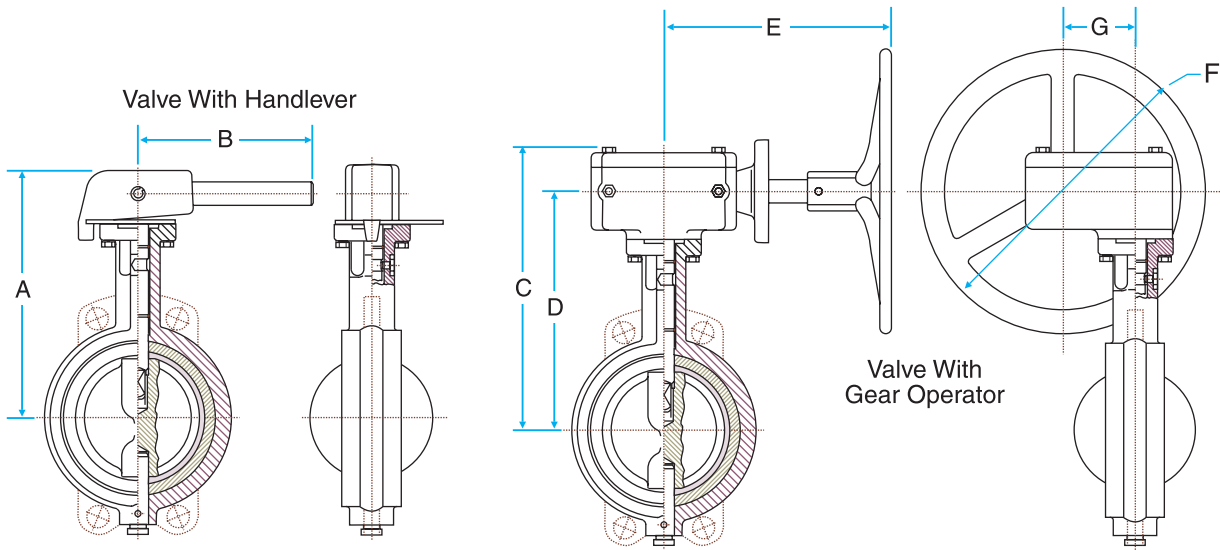


Bare Stem Valves - Dimensions in inches

Nominal Diameter:	2"	2½"	3"	4"	5"	6"	8"	10"	12"	14"	16"	18"	20"	24"
A ⁽¹⁾	8.03	8.86	9.41	10.55	11.50	12.60	15.20	18.19	21.34	24.69	26.65	29.25	31.22	36.77
A ⁽²⁾	8.03	8.86	9.84	11.26	12.36	13.46	15.79	18.19	21.34	-	-	-	-	-
B	2.91	3.11	3.35	3.98	4.41	4.92	6.14	7.56	9.53	10.91	11.89	13.43	14.41	16.69
C ⁽¹⁾	5.12	5.75	6.06	6.57	7.09	7.68	9.06	10.63	11.81	13.78	14.76	15.83	16.81	20.08
C ⁽²⁾	5.12	5.75	6.50	7.28	7.95	8.54	9.65	10.63	11.81	-	-	-	-	-
D	2.56	2.56	2.56	2.56	3.54	3.54	3.54	4.92	4.92	6.89	6.89	6.89	6.89	8.27
E	0.55	0.55	0.55	0.55	0.59	0.59	0.59	0.71	0.71	0.91	0.91	0.91	0.91	0.98
H	0.63	0.63	0.63	0.63	0.75	0.75	0.75	0.94	0.94	2.56	2.56	2.56	2.56	3.15
J	4.13	4.88	5.43	6.38	7.56	8.58	10.75	12.91	14.88	17.24	19.25	21.22	23.43	27.40
K	0.28	0.51	0.75	1.06	1.46	1.93	2.76	3.54	4.37	5.08	5.55	6.38	7.13	8.70
L	1.69	1.81	1.81	2.05	2.20	2.20	2.36	2.68	3.07	3.07	4.02	4.49	5.00	6.06
M ANSI 150	4.75	5.50	6.00	7.50	8.50	9.50	11.75	14.25	17.00	18.75	21.25	22.75	25.00	29.50
N ANSI 150	5/8"-11 UNC				3/4"-10 UNC			7/8"-9 UNC		1"-8 UNC		1 1/8"-7 UNC		1 1/4"-7 UNC
O ANSI 150	4	4	4	8	8	8	8	12	12	12	16	16	20	20
P	-	-	-	-	-	-	-	-	-	0.55	0.55	0.55	0.55	0.79
R	1.38	1.38	1.38	1.38	2.17	2.17	2.17	2.76	2.76	3.94	3.94	3.94	3.94	5.12
S ⁽⁴⁾	0.55	0.55	0.55	0.55	0.67	0.67	0.67	0.87	0.87	-	-	-	-	-
T	0.14	0.14	0.14	0.14	0.14	0.14	0.14	0.14	0.14	0.20	0.20	0.20	0.20	0.28
U	1.54	2.20	2.80	3.66	4.61	5.67	7.52	9.45	11.46	12.87	14.61	16.65	18.58	22.64
W	-	-	-	-	-	-	-	-	-	1.77	1.77	1.77	1.77	2.76
X	Ø 0.28/4 x Ø 1.97				Ø 0.35/4 x Ø 2.76			Ø 0.43/4 x Ø 4.02		Ø 0.71/4 x Ø 5.51				Ø 0.87/4 x Ø 6.5

Weights in pounds - without actuator

Nominal Diameter:	2"	2½"	3"	4"	5"	6"	8"	10"	12"	14"	16"	18"	20"	24"
Wafer Body	5.3	6.6	7.1	9.9	15.4	17.6	26.7	43.7	68.8	110	159	203	245	430
Lug Body	7.5	8.8	10.6	15.2	23.4	25.1	35.1	57.3	84.2	132	203	238	333	540



Lever & Gear Operated Valves - Dimensions⁽³⁾ in inches

Nominal Diameter:	2"	2½"	3"	4"	5"	6"	8"	10"	12"	14"	16"	18"	20"	24"
A ⁽¹⁾	7.13	7.76	8.07	8.58	9.09	9.69	11.06	-	-	-	-	-	-	-
A ⁽²⁾	7.13	7.76	8.50	9.29	9.96	10.55	11.65	-	-	-	-	-	-	-
B	7.87	7.87	7.87	7.87	9.45	9.45	9.45	-	-	-	-	-	-	-
C ⁽¹⁾	8.11	8.74	9.06	9.57	10.08	10.67	12.05	13.62	14.80	17.20	18.19	19.25	20.24	24.21
C ⁽²⁾	8.11	8.74	9.49	10.28	10.94	11.54	12.64	13.62	14.80	-	-	-	-	-
D ⁽¹⁾	6.77	7.40	7.72	8.23	8.74	9.33	10.71	12.28	13.46	15.83	16.81	17.87	18.86	21.93
D ⁽²⁾	6.77	7.40	8.15	8.94	9.61	10.20	11.30	12.28	13.46	-	-	-	-	-
E	9.06	9.06	9.06	9.06	9.06	9.06	9.06	9.06	9.06	11.22	11.22	11.22	11.22	17.87
F	7.87	7.87	7.87	7.87	9.84	9.84	9.84	9.84	9.84	15.75	15.75	15.75	15.75	24.02
G	2.56	2.56	2.56	2.56	2.56	2.56	2.56	2.56	2.56	3.78	3.78	3.78	3.78	5.39

(1) Standard neck, ductile iron bodies only. (2) Long neck, cast iron bodies only.
 (3) Figures apply to actuator with operating pressure 50psi and 150psi disc. (4) Square drive on 2" - 12" sizes.

Weights in pounds - Wafer Bodied Valve With Operator

Nominal Diameter:	2"	2½"	3"	4"	5"	6"	8"	10"	12"	14"	16"	18"	20"	24"
Hand Lever	9.0	10.4	10.8	13.7	19.6	21.8	30.9	-	-	-	-	-	-	-
Gear Operator	22.5	23.8	24.3	27.1	32.6	34.8	43.9	60.8	86.0	147	196	240	282	507

Hand Lever / Gear Operator - Recommendations

Key	Shut-off Pressure	2" - 5"	6"	8"	10"	12" - 24"
Hand Lever	230 psi					
Gear Operator	150 psi					
	50 psi					

Hand levers can be supplied up to 8", gear operators from 2" up.

Series 7500 - Xomox Butterfly Valves

Bolt Dimensions.

DN IMP Inches	ANSI Class	For Wafer Bodies Bolts With Nuts			For Lug Bodies Bolts Without Nuts		
		No.	Thread	Length	No.	Thread	Length
2	150	4	5/8-11 UNC	4"	8	5/8-11 UNC	1 1/2"
2 1/2	150	4	5/8-11 UNC	4"	8	5/8-11 UNC	1 3/4"
3	150	4	5/8-11 UNC	5"	8	5/8-11 UNC	1 3/4"
4	150	8	5/8-11 UNC	5"	16	5/8-11 UNC	1 3/4"
5	150	8	3/4-10 UNC	5 1/2"	16	3/4-10 UNC	2"
6	150	8	3/4-10 UNC	5 1/2"	16	3/4-10 UNC	2"
8	150	8	3/4-10 UNC	5 1/2"	16	3/4-10 UNC	2"
10	150	12	7/8-9 UNC	6 1/2"	24	7/8-9 UNC	2 1/2"
12	150	12	7/8-9 UNC	7"	24	7/8-9 UNC	2 1/2"
14	150	12	1-8 UNC	8"	24	1-8 UNC	2 3/4"
16	150	16	1-8 UNC	9"	32	1-8 UNC	2 3/4"
18	150	16	1-1/8"-7 UNC	10"	32	1-1/8"-7 UNC	3"
20	150	20	1-1/8"-7 UNC	10"	40	1-1/8"-7 UNC	3"
24	150	20	1-1/4"-7 UNC	12"	40	1-1/4"-7 UNC	4 1/2"

Chemical Resistance Guide.

The following valve seat materials are recommended subject to user's practical experience. However, the guidelines provided below may be limited by service temperature and

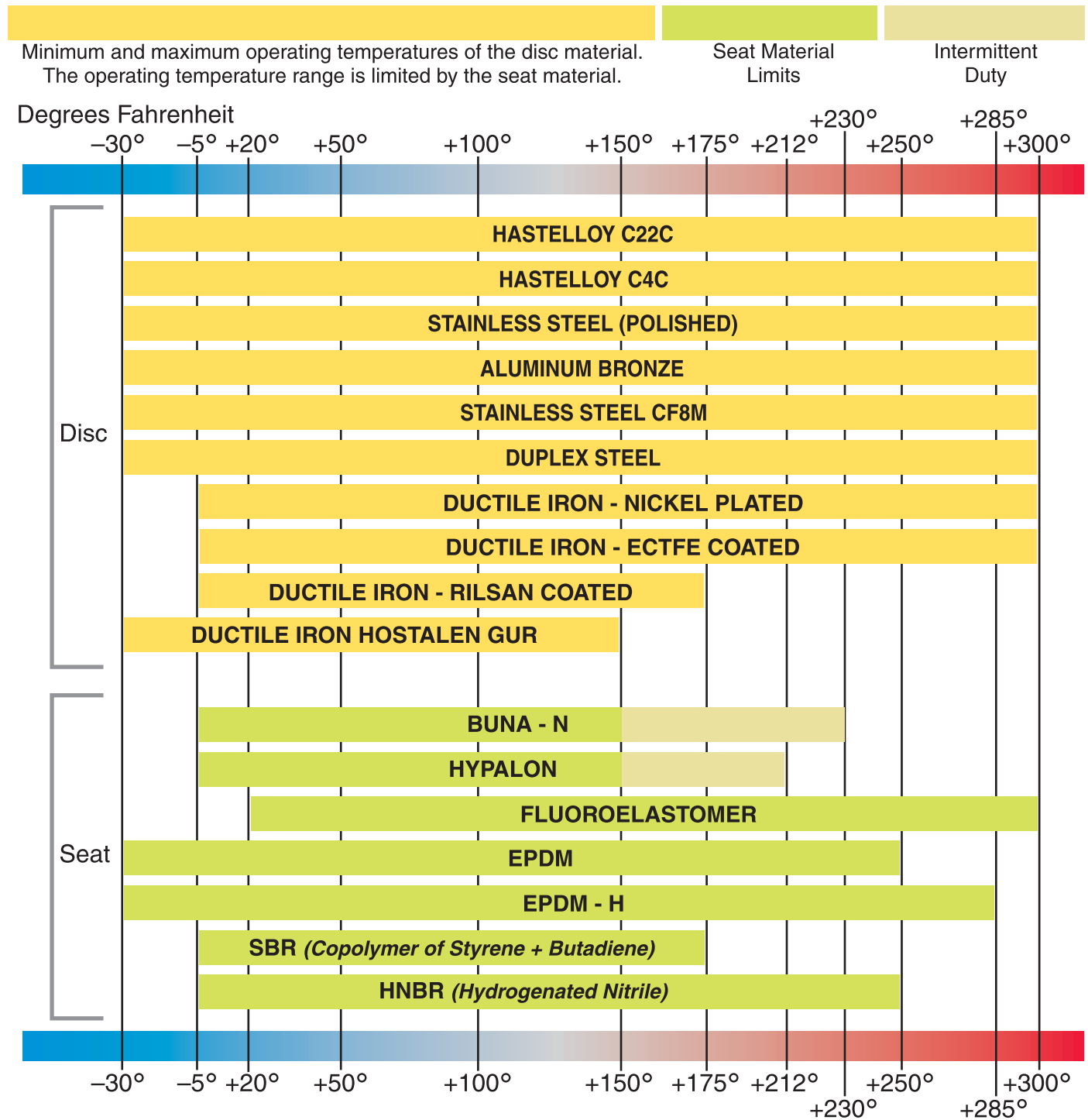
are not to be interpreted as applicable through the entire temperature range of the seat materials indicated on page 13. Also, the resistance can be affected by concentration,

pressure, flow rate, or evaporation of the medium. In case of doubt, the suitability is to be verified by tests under operating conditions.

Valve Seat Material	Resistant Against
Buna - N	Petroleum, grease, alcohol, glycol, propane, butane, diesel-fuel, and many other media.
EPDM	Ozone, phosphate, ester, ketones, alcohols, glycols, concentrated sulphuric acid, bleaching (20%), alkaline solutions in general, treated water (with caustic soda, sodium sulphate, chlorine), hot water and steam <i>(It is attacked by hydrocarbonaceous solutions and oils, chlorinated hydrocarbons, turpentine and all other petroleum based oils.)</i>
Hypalon	Sodium chloride, chromic acid, nitric and hydrofluoric acid, sulphuric acid, hydrocarbon oils, salts, and others.
SBR	Acids and alkalis.

Valve Seat Material	Resistant Against
Viton	Strong and weak mineral acids, aliphatic hydrocarbons, aromatic alcoholic and halogenated hydrocarbons, ester of aromatic acids, interlinked aliphatic acids, phosphoric acids except alkyl and alkylaryl, phosphoric ester, aromatic ethers, aliphatic ethers, except ethers of high molecular weight, such as methyl ether, dioxane and tetrahydrofurane. <i>(It is attacked by ester of low molecular weight, such as ethyl acetate, n-propyl nitrate, ketones, such as acetone and methyl-ethyl-ketone, amino compounds such as n-butylamine, dry ammonia and asymmetric diphenylhydracetin. Viton is not suitable for dry heat and steam)</i>
HNBR	Petroleum, grease, alcohol, glycol, propane, butane, diesel fuel and many other media.

Operating Temperatures



Series 7500 - Xomox Butterfly Valves

Valve sizing.

The size of butterfly valve used for control purposes should not be dictated by the nominal diameter of the pipe, but should be calculated on the basis of the operating characteristics, in order to achieve the correct control characteristics.

To determine the size of a control valve the opening angle characteristics need to be considered. Xomox Series 7500 Butterfly Valves are designed with approximately equal percentage characteristics over an opening angle of 60°.

Nominal Bore Inches	Cross-Section Of Pipe - in ² *	Opening Angle								
		90° Cv	80° Cv	75° Cv	70° Cv	60° Cv	50° Cv	40° Cv	30° Cv	25° Cv
2	3.36	130	104	89	69	53	27	16	8	6
2½	4.79	198	159	130	104	82	41	26	14	9
3	7.39	299	239	204	159	124	62	37	21	14
4	12.7	548	473	398	303	233	119	72	41	27
5	19.7	1,121	996	827	623	488	249	154	88	60
6	28.9	1,944	1,645	1,345	1,027	797	408	249	144	97
8	50	3,240	2,718	2,194	1,744	1,296	698	418	249	169
10	78.9	4,986	4,288	3,589	2,742	2,144	1,146	667	389	259
12	112	7,480	6,033	4,986	4,039	3,091	1,595	996	548	378
14	135	9,973	8,078	6,681	5,085	4,089	2,194	1,296	748	498
16	177	12,466	10,770	8,975	6,482	5,085	2,642	1,694	897	648
18	224	17,453	13,961	11,967	9,175	7,081	3,690	2,293	1,246	897
20	278	21,940	17,453	14,959	11,469	8,676	4,587	2,792	1,595	1,121
24	402	27,924	28,955	20,445	16,455	11,718	6,083	3,789	2,194	1,496

*Based on Schedule 40 commercial wrought steel pipe (ANSI B36-10)

Actuator sizing.

The drive torque required for selecting an actuator is given in the table below. The torques listed are in in-lbs and apply to liquid and most media.

The actuator should be capable of producing the listed torque over the total deflection angle.

Shut-off Pressure psig	Nominal Diameter Of A Butterfly Valve													
	2"	2½"	3"	4"	5"	6"	8"	10"	12"	14"	16"	18"	20"	24"
230	228	336	528	1,068	1,596	2,304	2,916	4,248	6,108	13,452	17,880	22,044	27,168	50,976
150	144	204	312	624	840	1,128	1,776	2,484	3,540	7,872	10,536	12,924	15,936	30,708
50	120	120	204	276	360	564	1,020	1,860	2,304	3,720	4,872	8,580	11,064	20,448

How To Specify. Example: 6" 7 5 0 6 - FA 1 FE SC C E02 - H 2 X

1 2 3 4 5 6 7 8 9 10 11 12 13 14

The example above, **6" 7 5 0 6 - FA 1 FE SC C E02 - H 2 X** indicates:
 an ANSI Class 150, 6-inch – Xomox Series 7500 Resilient Seated Butterfly Valve – ANSI Raised Face Wafer Pattern Body to API 609 Face-to-Face – 230 psi shutoff pressure– A395 Ductile Iron Body – Primer Coated – ANP A395 Ductile Iron Disc – Type 316 Stainless Steel Shaft – Composite Resin Bushing – Viton Resilient Liner – 10-Position Handle Operator – 90° Oriented Drive Square – Standard Service

1	Size (DN)	Size (inches)	Code
	50	2"	2"
	65	2½"	2.5"
	80	3"	3"
	100	4"	4"
	125	5"	5"
	150	6"	6"
	200	8"	8"
	250	10"	10"
	300	12"	12"
	350	14"	14"
	400	16"	16"
	450	18"	18"
	500	20"	20"
	600	24"	24"

2&3	Valve Series	Code
	Xomox Series 7500 = Standard	75

4	Body Style	Size Range	Code
	ANSI Wafer	2" - 24"	0
	ANSI Lug		1
	ANSI Lug (DE)		2
	ANSI Dbl Flanged		3

5	Pressure	Size Range	Code
	50 psi	4" - 24"	1
	150 psi	2" - 24"	4
	230 psi		6

6	Body Material	Size Range	Code
	ASTM A216 Grade WCB CS	2" - 24"	CB
	A395 Ductile Iron		FA
	A536 Ductile Iron		FB
	Cast Iron		FC

7	Body Finish	Code
	Primer Coated = Standard	1
	Epoxy Coating	3
	Special Coating (Specify)	4

8	Disc Material	Size Range	Code
	B148 Grade 955 Al-Bronze	2" - 24"	AA
	A395 Ductile Iron - ENP **		FE
	D.I. - Rilsan Coated		FF
	D.I. - ECTFE Coated		FG
	D.I. - Hostalen GUR Lined		FH
	A351 Grade CF8M SS		SC
	Duplex Stainless Steel		SF
	A351 Grade CF8M / Polished		SP
	Hastelloy C-4C †		NC
	Hastelloy C-22C †		ND

9	Shaft Material	Size Range	Code	10	Bushing Material	Code
	A479 Type 316 SS	2" - 24"	SC		Composite Resin = Standard	C
	A477 Type 420 SS		SS			

11	Liner Material	Size Range	Code
	Buna-N	2" - 24"	E01
	Fluoroelastomer (Viton)		E02
	EPDM		E03
	CSM (Hypalon)		E09
	Hydrogenated Nitrile (HNBR)		E15
	EPDM-H		E16
	SBR (Styrene+Butadiene)		E17

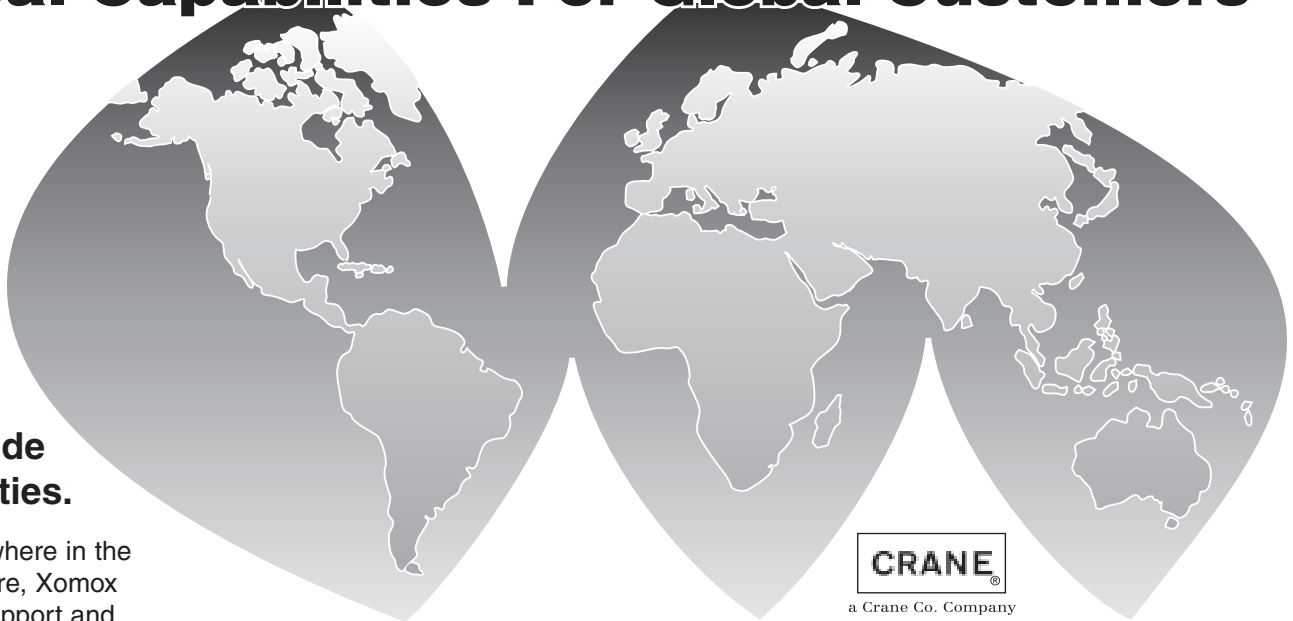
12	Operation	Size Range	Code
	Bare Stem / No Operator	2" - 24"	X
	Lockable Handle, 10-Pos.	2" - 8"	H
	Manual Gear Operator	2" - 24"	G
	Manual Gear Operator with Chainwheel		C
	Manual Gear Operator with Locking Device		L
	Xomox Pneumatic Actuator, DA (Specify)		D
	Xomox Pneumatic Actuator, SR-Closed (Specify)		S
	Xomox Pneumatic Actuator, SR-Open (Specify)		A
	Electric Actuator, (Specify)		E
	Other (Specify)		Z

13	Shaft Drive Orientation	Code
	Square Drive 90° Angle to Valve Face = Standard (U.S.)	2

14	Service Options	Code
	Valve Supplied with PED Certificate	E
	Silicone-Free Valve	N
	Valve Cleaned and Bagged for Oxygen Service	O
	Valve Cleaned and Bagged for Vacuum Service	V
	Other (Specify)	Z

† Only available with 150 psi disc. ** ENP = Electroless Nickel Plated.

Global Capabilities For Global Customers



Worldwide capabilities.

No matter where in the world you are, Xomox technical support and services are available from:

- 16 Manufacturing Facilities
- 18 Service Centers
- 50 Sales Offices
- More than 200 Xomox Authorized Distributors

Product selection.

Xomox offers the broadest line of process valves, actuators, accessories, and related services including:

- Tufline Process Valves
- Saunders Diaphragm Valves
- Matryx Rack & Pinion, Vane Actuators
- Xomox XRP™ Actuators

Product responsibility.

Xomox's concern for product performance extends to the product's period of service. We feel it is important for users to also be aware of their responsibilities. Our products are manufactured and used in numerous applications with a wide variety of service conditions. While general guidelines are often furnished, it obviously is not possible to provide complete and specific performance data for every conceivable service condition.

Global locator.

For a listing of Xomox Manufacturing Facilities, Service Centers, Regional Offices, and Authorized Distributors, visit our web site www.xomox.com.

Xomox literature.

All Xomox catalogs and technical data are available as PDF files at www.xomox.com.

Phone support.

Call your nearest Xomox Sales Office or the Xomox World Headquarters:
Phone: 513-745-6000
Fax: 513-745-6093

CRANE®

a Crane Co. Company

Corporate strength.

Xomox is a Crane Co. company. Through the Crane Co. association, Xomox offers even greater global capabilities and breadth of product lines.

Xomox Corporation

World Headquarters
4444 Cooper Road
Cincinnati, Ohio 45242

XOMOX®
Process Valves & Actuators

Therefore, the end user must assume final responsibility for proper evaluation, application and performance of all products. The contents of this document are presented for information purposes only. Every effort has been made to ensure accuracy. This information is not intended to be construed as warranties or guarantees, expressed or implied, nor imply use applicability, for products or services described herein. We reserve the right to modify or improve the designs and

specifications of such products at any time without notice. As the manufacturer, Xomox sells its products and services pursuant to its standard terms and conditions of sale, including its limited warranty, copies of which are available upon request. Xomox limits its liability specifically to the replacement or repair of defective items, or to a refund for same. Xomox does not accept liability for any incidental or consequential damages.