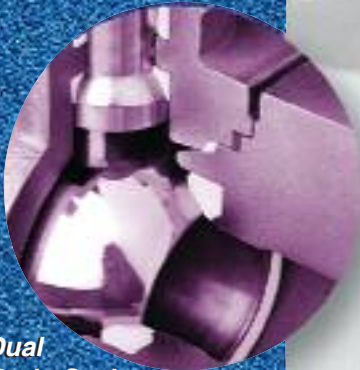


XOMOX[®]

Process Ball Valves



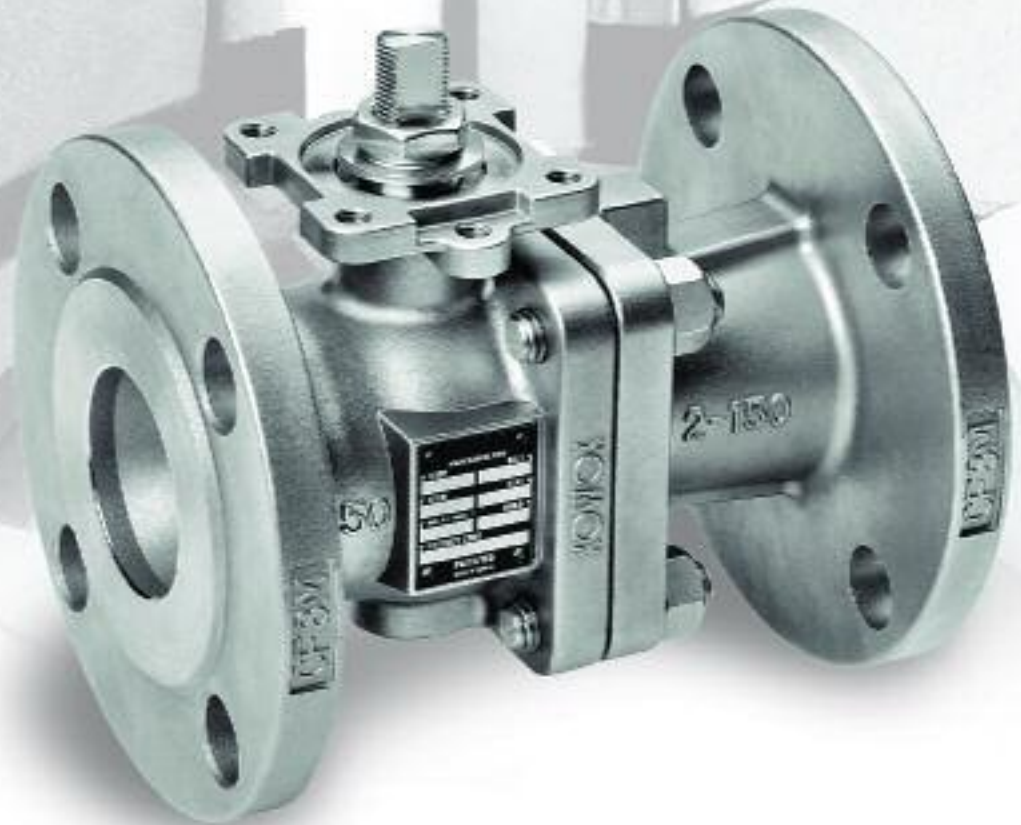
*Patented S2[™]
Stem Seal*



*Dual
Body Seal*



*Fugitive
Emissions Control*





Anti-static electrical continuity between ball, stem, and body.

Locking washer

Blow-out proof stem.

Live loaded packing assures reliable performance for the life of the valve.

Only Xomox Process Ball Valves embody all the quality, performance, value, and safety features required in process applications.

The basics:

Xomox Process Ball Valves are available in the following configurations:

- One-piece flanged.
- Two-piece flanged.
- Three-piece screwed, socket-weld, and butt-weld ends.
- Sizes 1/2 through 8 inches.
- ANSI Class pressure ratings of 150, 300, and 600.
- Xomox Ball Valves provide tight shutoff from vacuum through rated pressure at temperatures from -20°F to 450°F.

Innovative engineering and the precision machined ball assure lower operating torque and more economical actuation. Seat wear is reduced and operating life is greatly extended. 316 stainless steel balls are standard in all valves.

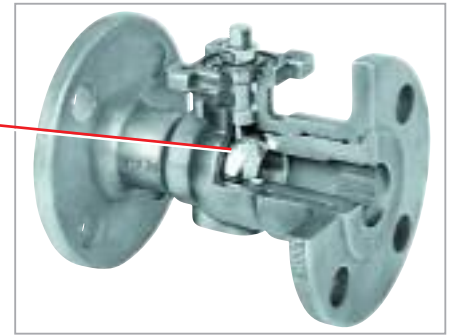
The compact two-piece body meets end-to-end requirements of ASME/ANSI B16.10.

© Copyright Xomox Corporation 2001, 2005. All rights reserved. Xomox®, Tuffline®, and Matryx® are registered trademarks of Xomox Corporation. S2™ and XRP™ are trademarks of Xomox Corporation.

The integral **ISO 5211** actuator mounting pad assures easy, low cost automation.

With optional graphite stem packing, the valve is fire tested to **API-607, 4th Edition**.

For inventory economy and convenience, one-piece and two-piece valves have interchangeable **internal parts**.



Above: The compact one-piece valve meets ASME/ANSI B16.10 specifications.

The patented **S2™** sealing system assures superior stem sealing.

Dual body gaskets are standard on 1-piece and 2-piece Xomox Process Ball Valves. This includes a PTFE chemically inert seal and a secondary FT graphite seal (*Patent No. 6,837,482 on 2-piece valves*).

Standard **Chemically Modified PTFE (CMP)** seat material reduces the need for multiple seat options.

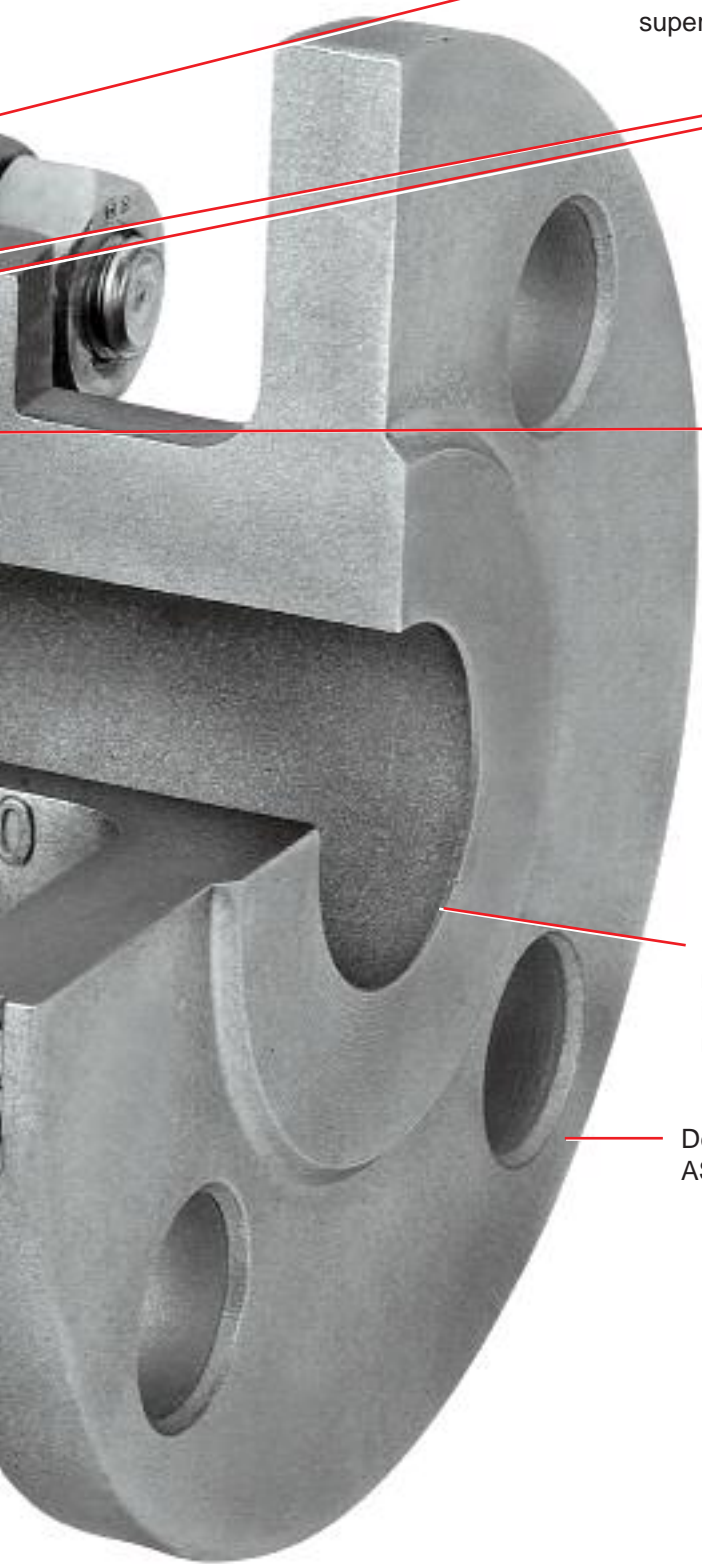
Compared to PTFE, CMP provides superior mechanical and thermal characteristics. CMP is more resistant to chemicals and cold flow. Other seal materials are available upon request.

Large port openings maximize **Cv factors**, increasing flow rates and minimizing pressure loss.

Development of casting is to ASTM E-446 Level II standards.

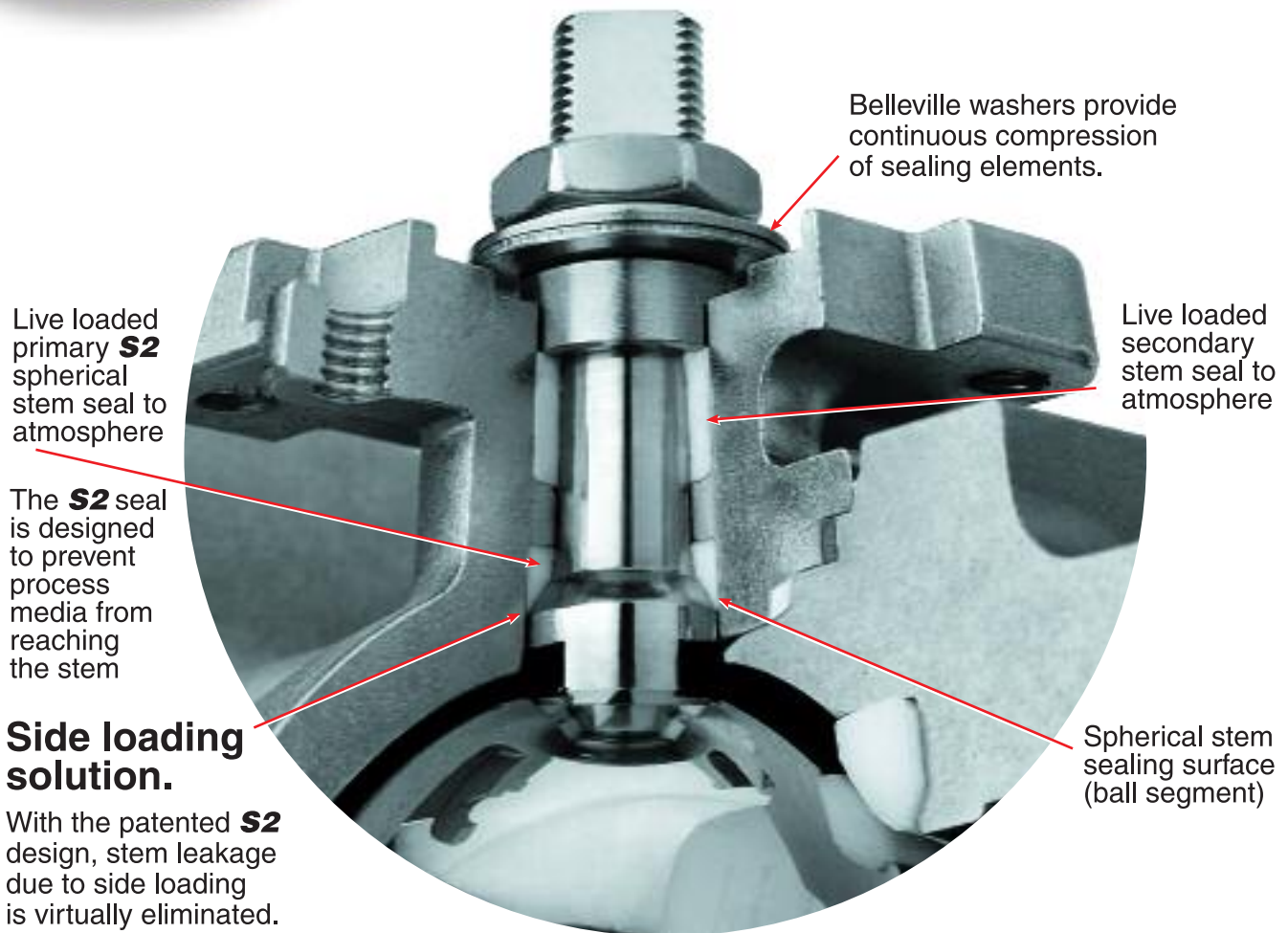


Above: The compact three-piece valve body design allows for disassembly and maintenance without removing the valve from the line.*





Xomox's exclusive S2™ stem seal system provides superior fugitive emissions control in process applications.



• **Media-free stem.**

The primary spherical **S2** stem seal eliminates media build-up on the stem. This prevents stem binding and torque increase. The secondary stem seal is not exposed to the process media.

• **Maintenance-free operation.**

The spherical **S2** stem sealing system automatically adjusts to compensate for wear, temperature and pressure fluctuations.

• **Exceptional performance.**

Documented performance, under actual service conditions, of more than 3-million cycles without measurable stem leakage.

The patented **S2™** stem seal stops normal side loading stem leakage.

Typical causes of stem side loading resulting in leakage to atmosphere:

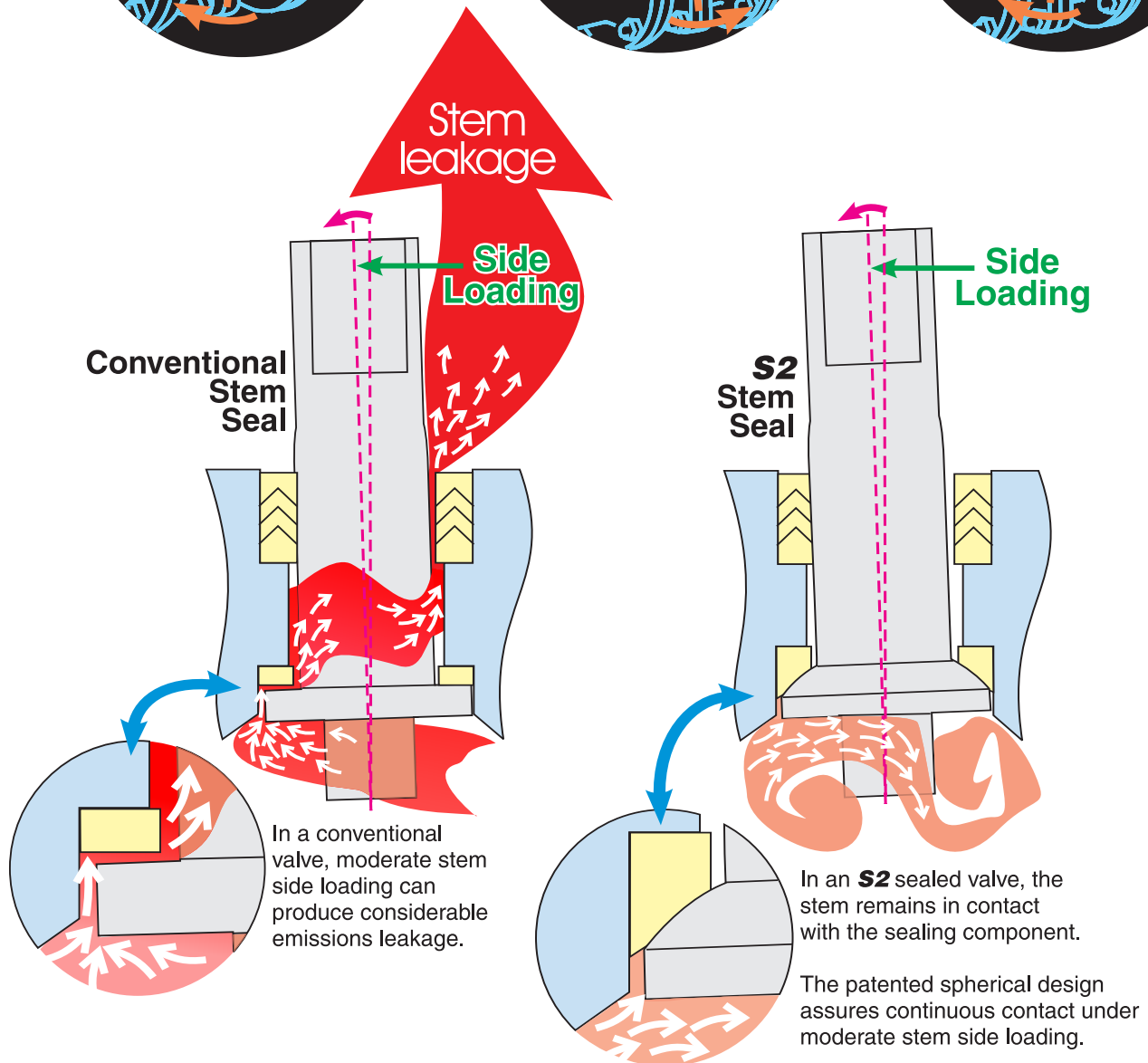
Heavy manual operation



Actuation loads and misalignment



Abusive contact

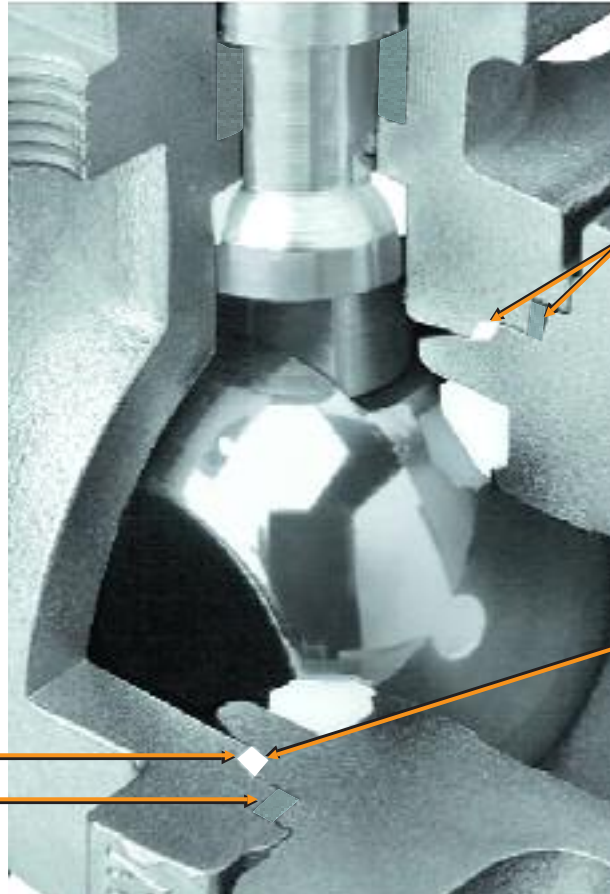


Xomox meets the thermal challenge with the most effective body seal available

The thermal cycling challenge.

Most PTFE body gaskets work well at static temperatures. The real challenge comes when you introduce a wide temperature swing.

In a standard gasket seal design, a thermal cycle can cause a leak due to differences in the thermal coefficient of expansion between the PTFE body seal and the metal body material.



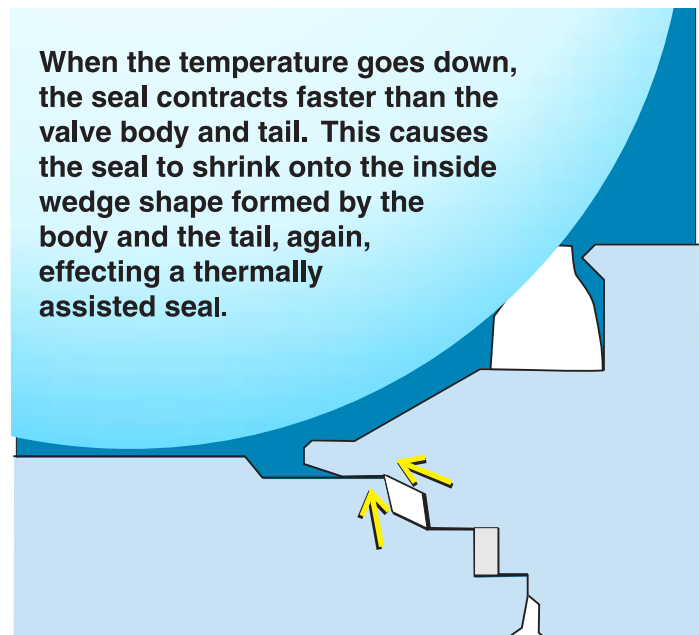
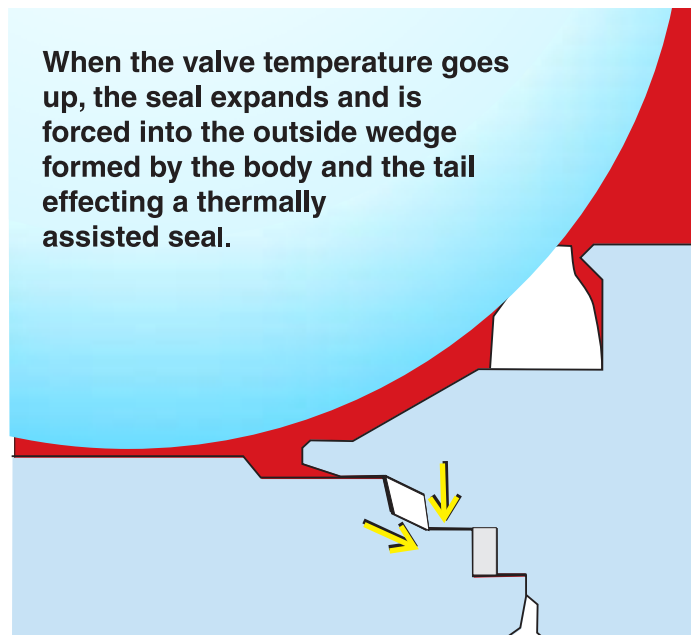
Dual body gaskets are standard on 1-piece and 2-piece Xomox Process Ball Valves. This includes a PTFE chemically inert seal and a secondary FT graphite seal (patent-pending on 2-piece valves).

Compression of the two body joint gaskets is precisely controlled to prevent cold flow and distortion. The gasket seal is uniform and secure.

Thermally assisted sealing.

Xomox's diamond shaped, thermally assisted PTFE body seal, will seal at all temperatures in its design range, even during thermal cycling.

To enhance the seal, this unique design takes advantage of the differences in the rates of thermal expansion between the PTFE and the metal to enhance the seal.



Fugitive Emissions Module

ISO 5211 mounting pad top & bottom makes installation on Xomox Ball Valves and mounting of actuators simple and economical.

Interface matches valve making it field convertible with existing mounting kit or handle.

Double set of belleville washers live load both stem packing and the **S2** spherical seal. This assures positive sealing in high cycle severe service applications.

PTFE chevron stem packing provides a secondary dynamic stem seal.

Exclusive spherical **S2** stem seal (See pages 4 & 5 of this catalog for details).

316SS Investment Casting developed to ASTM E-446 Level II standards assures casting integrity and provides corrosion resistance.

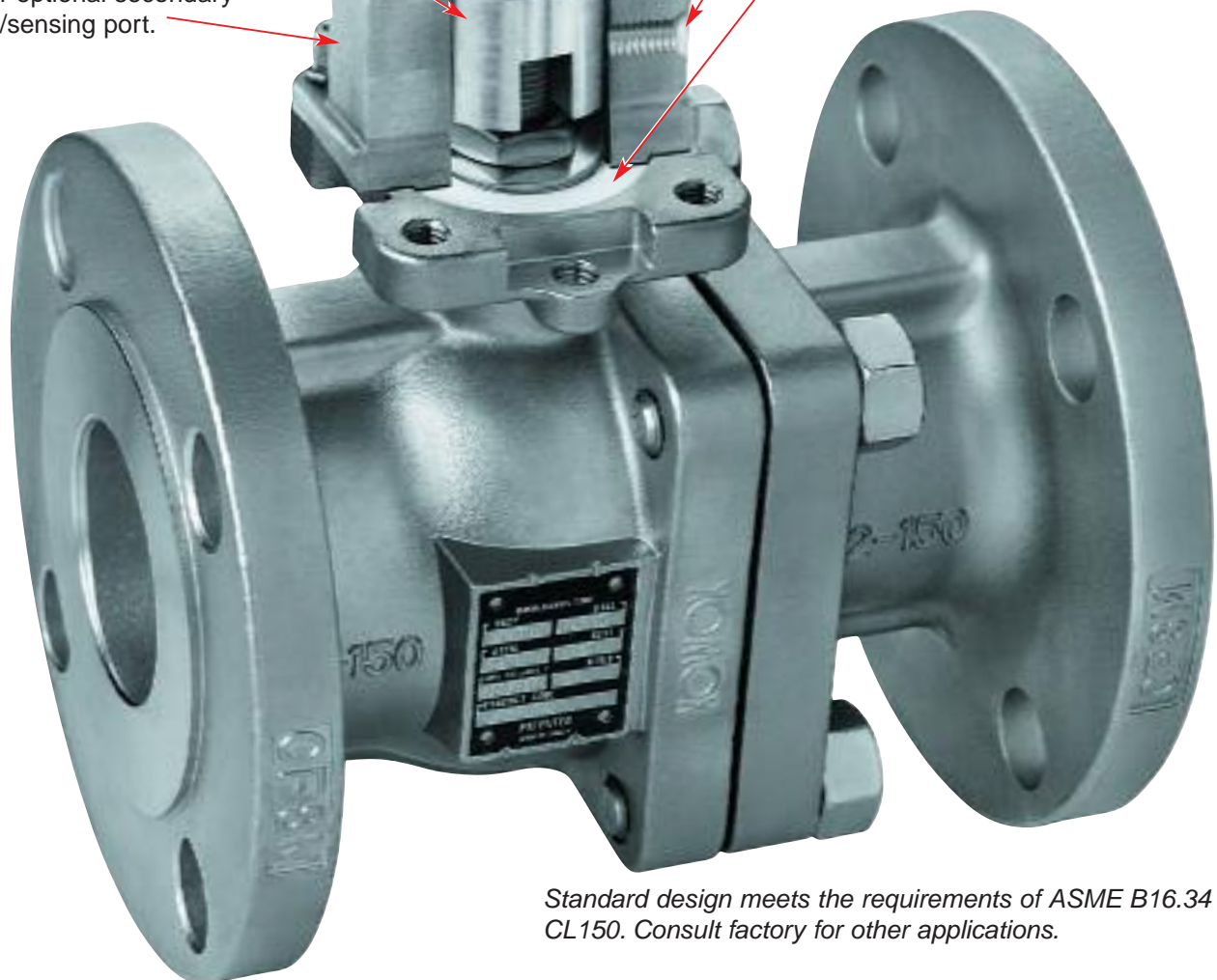
Stainless steel powder filled PTFE bushing supports stem, extending life of all stem seals.

Blow-out proof stem.

Monitoring port for mounting of pressure/sensing devices. Boss is tapped and plugged.

Boss for optional secondary purging/sensing port.

PTFE gasket provides positive static seal between valve & FEM unit.



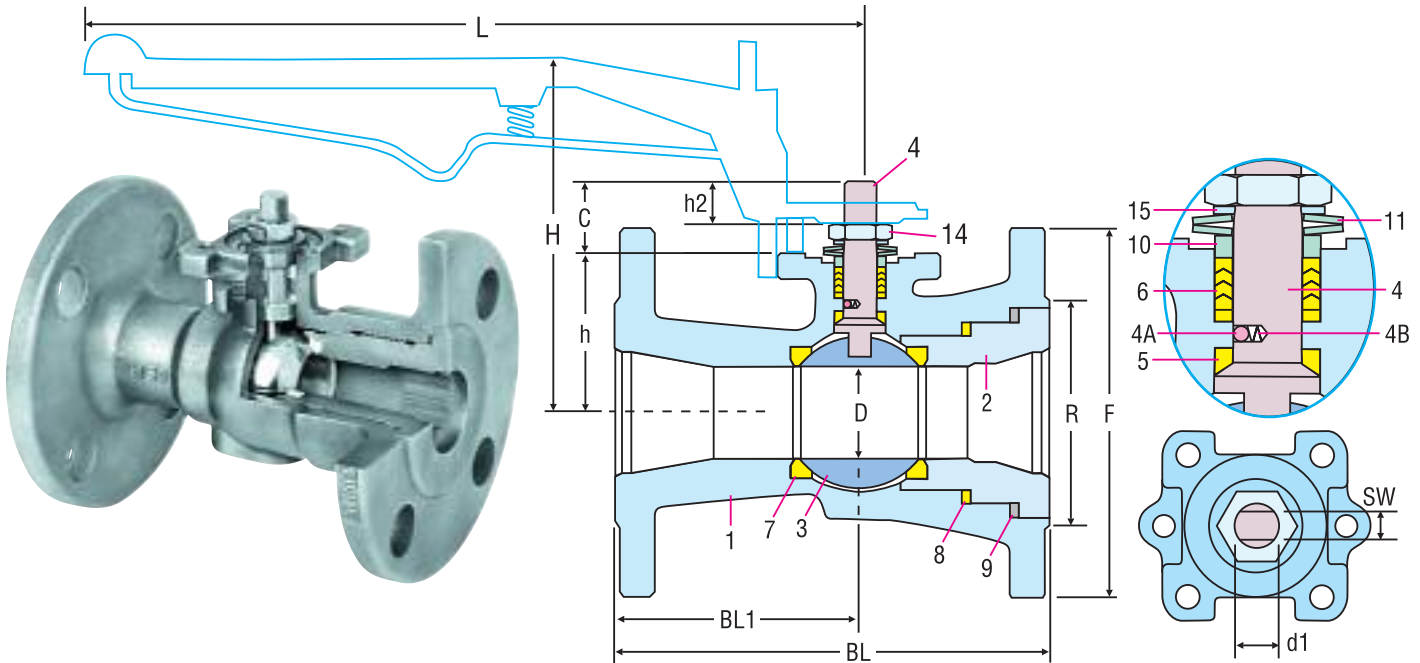
Standard design meets the requirements of ASME B16.34 CL150. Consult factory for other applications.

Sample Xomox Process Ball Valve Specifications

Sizes	½" - 4" Class 150 Full Port Carbon / Stainless Trim	6" - 8" Class 150 Full Port Stainless / Stainless Trim
Body	ASTM A216, WCB	ASTM A351, CF8M
Tail	ASTM A216, WCB	ASTM A351, CF8M
Pressure-Temperature Rating	285 psig 100°F 100 psig 480°F	275 psig 100°F
Size Range	½" - 4"	6" - 8"
End Connections	Flanged ASME 16.5, Class 150, raised face	Flanged ASME 16.5, Class 150, raised face
Seat	CMP (Chemically modified PTFE)	CMP (Chemically modified PTFE)
Stem Seal	PTFE S2 stem seal	CMP S2 stem seal
Primary Body Gasket	PTFE diamond shaped, thermally assisted	PTFE diamond shaped, thermally assisted
Secondary Body Gasket	Grafoil	Grafoil
Ball	316SS	316SS
Stem	316SS Blowout proof	316SS Blowout proof
Stem Packing	PTFE live loaded	PTFE live loaded
Studs	ASTM A193, B7M	ASTM A193, B8M
Nuts	ASTM A194, 2HM	ASTM A194, 8MA
Operator	SS latching / locking lever	Gear operator
References	ASME / ANSI B16.10, ASME B16.34	ASME / ANSI B16.10, ASME B16.34
Design	2-piece, full bore	2-piece, full bore
Manufacturer	Xomox Corporation	Xomox Corporation
Figure Number	521F-266-TAP16-LL	521F-666-TAP16-G



One-Piece Body / ANSI B16.34 / Class 150 & 300



Reduced Port

3/4 to 4 inch

End-to-end dimensions:
ASME / ANSI B16.10

Short Pattern

Xomox Figure Numbers:

Class 150 - **511R**

Class 300 - **513R**

The exclusive, patented **S2** stem design is:

- Blow-out proof
- Fire-tested
- Highly resistant to side-loading leakage.

Parts & Materials

No.	Part Description	Carbon	Stainless
1	Body	ASTM A216. WCB	ASTM A351. CF8M
2	Tail	ASTM A216. WCB	ASTM A351. CF8M
3	Ball	316SS	316SS
4	Stem	316SS	316SS
4A	Anti-Static Ball	316SS	316SS
4B	Anti-Static Spring	316SS	316SS
5	S2 Stem Seal Ring	PTFE	PTFE
6	Packing Set	PTFE	PTFE
6	<i>Fire Tested Packing Set</i>	<i>Graphite</i>	<i>Graphite</i>
7	Soft Seat Seal Ring	CMP	CMP
8	Body Gasket - Inner Seal	PTFE	PTFE
9	Body Gasket - Outer Seal	GRAPHITE	GRAPHITE
10	Gland	316SS	316SS
11	Spring Washer	SST	SST
14	Stem Nut	ASTM A194. 8MA	ASTM A194. 8MA
15	Locking Washer	304SS	304SS

Size	Flange Dia. (F)		No. of Flange Bolt Holes		Dia. of Flange Bolt Holes		Dia. of Flange Bolt Circle	
	Cl. 150	Cl. 300	Cl. 150	Cl. 300	Cl. 150	Cl. 300	Cl. 150	Cl. 300
3/4	3.88	4.62	4.00	4.00	0.62	0.75	2.75	3.25
1	4.25	4.88	4.00	4.00	0.62	0.75	3.12	3.50
1 1/2	5.00	6.12	4.00	4.00	0.62	0.88	3.88	4.50
2	6.00	6.50	4.00	8.00	0.75	0.75	4.75	5.00
3	7.50	8.25	4.00	8.00	0.75	0.88	6.00	6.62
4	9.00	10.00	8.00	8.00	0.75	0.88	7.50	7.88

Size	D Flow Dia.	Face-to-Face				h	h2	H	L	C	SW	d1	Raised Face Dia. (R)	ISO Flange	ISO Bolt Size Metric	ISO Bolt Circle	Weight (pounds)	
		Cl. 150	Cl. 300	Cl. 150	Cl. 300												Cl. 150	Cl. 300
3/4	.50	4.62	6.00	2.35	3.74	1.54	0.43	4.88	5.75	0.75	.248	0.38	1.69	F04	M5xP.8	1.65	5	8
1	.75	5.00	6.50	2.62	4.12	1.77	0.35	5.13	5.75	0.63	.248	0.38	2.00	F04	M5xP.8	1.65	7	10
1 1/2	1.25	6.50	7.50	3.84	4.84	2.19	0.59	5.50	6.93	0.91	.315	0.44	2.88	F05	M6xP1	1.97	18	24
2	1.50	7.00	8.50	3.93	5.43	2.60	0.70	5.63	10.88	1.07	.374	0.63	3.62	F07	M8xP1.25	2.76	19	25
3	2.50	8.00	11.12	4.04	7.16	3.64	1.00	8.50	12.40	1.74	.669	0.88	5.00	F10	M10xP1.5	4.02	40	54
4	3.00	9.00	12.00	4.93	7.93	4.02	1.00	8.88	12.40	1.74	.669	0.88	6.19	F10	M10xP1.5	4.02	58	81

Two-Piece Body / B16.34 / ANSI Class 150 & 300

Reduced Port 6 & 8 inch

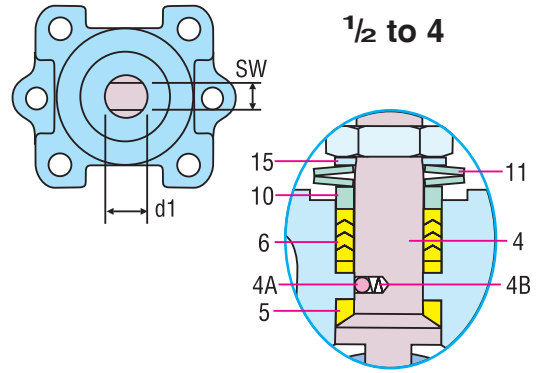
End-to-end dimensions:
ASME / ANSI B16.10
Short Pattern

Xomox Figure Numbers:
Class 150 - **521R**
Class 300 - **523R**

Full Port 1/2 to 8 inch

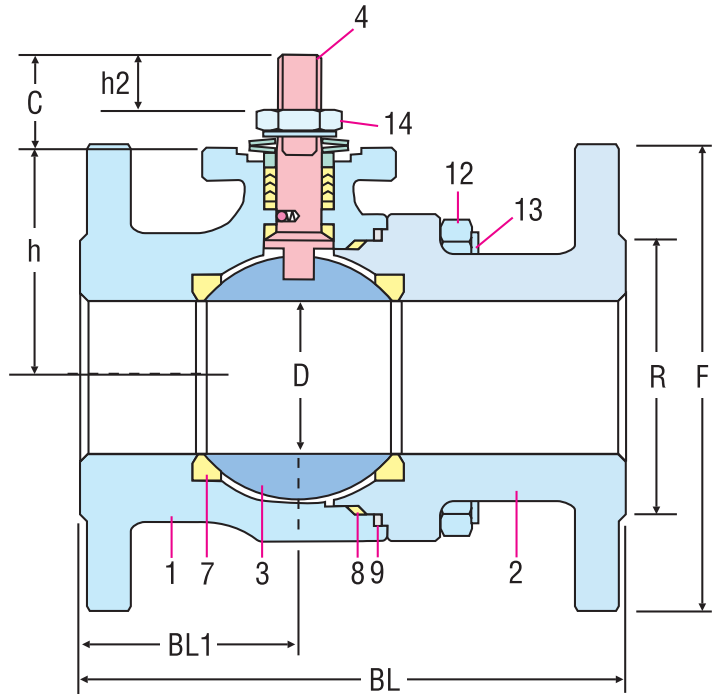
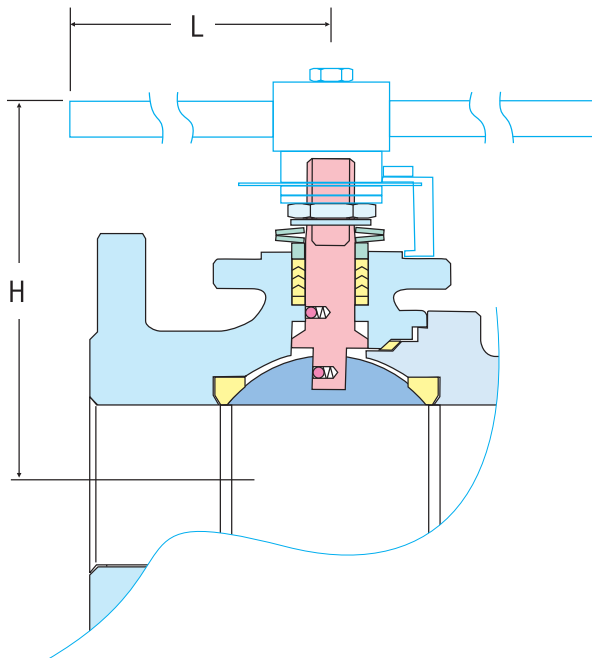
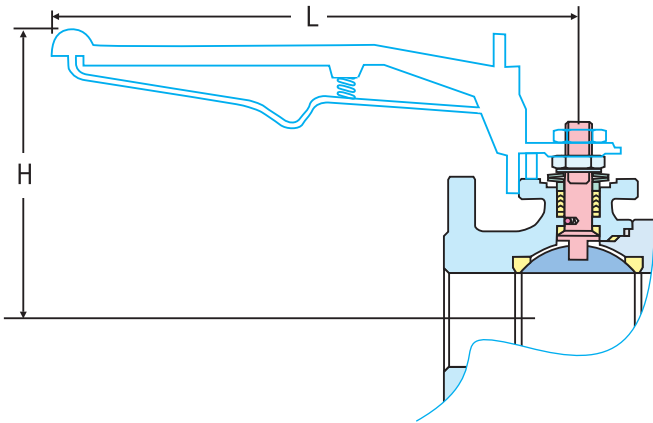
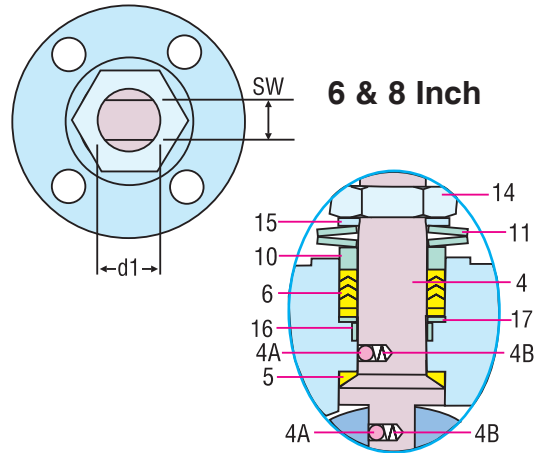
End-to-end dimensions:
ASME / ANSI B16.10
Long Pattern

Xomox Figure Numbers:
Class 150 - **521F**
Class 300 - **523F**



The exclusive, patented
S2 stem design is:

- Blow-out proof
- Fire-tested
- Highly resistant to side-loading leakage.



Reduced Port

Size	D Flow Dia.	Face-to-Face Dim. BL		Dim. BL.1		h	h2	H	L	C	SW	d1	Raised Face Dia. (R)	ISO Flange	ISO Bolt Size Metric	ISO Bolt Circle	Weight (pounds)	
		Cl. 150	Cl. 300	Cl. 150	Cl. 300												Cl. 150	Cl. 300
6	4.00	10.50	15.88	4.88	7.28	5.91	1.41	10.77	18.70	2.95	1.063	1.42	8.50	F12	M12x1.75	4.92	114	181
8	6.00	11.50	16.50	5.51	7.28	7.87	1.94	13.60	23.62	3.78	1.417	1.89	10.62	F14	M16x2.0	5.51	200	313

Full Port

Size	D Flow Dia.	Face-to-Face Dim. BL		Dim. BL1		h	h2	H	L	C	SW	d1	Raised Face Dia. (R)	ISO Flange	ISO Bolt Size Metric	ISO Bolt Circle	Weight (pounds)	
		Cl. 150	Cl. 300	Cl. 150	Cl. 300												Cl. 150	Cl. 300
1/2	.50	4.25	5.50	1.82	2.30	1.54	0.43	4.88	5.75	0.74	.248	0.38	1.38	F04	M5xP.8	1.65	5	6
3/4	.75	4.62	6.00	1.92	2.41	1.77	0.35	5.13	5.75	0.63	.248	0.38	1.69	F04	M5xP.8	1.65	5	9
1	1.00	5.00	6.50	1.91	2.69	2.03	0.61	5.50	6.93	0.93	.315	0.44	2.00	F05	M6xP1.0	1.97	8	13
1 1/2	1.50	6.50	7.50	2.20	3.27	2.58	0.70	5.63	10.88	1.09	.374	0.63	2.88	F07	M8xP1.25	2.76	14	22
2	2.00	7.00	8.50	2.76	3.03	2.95	0.70	6.00	10.88	1.07	.374	0.63	3.62	F07	M8xP1.25	2.76	21	30
3	3.00	8.00	11.12	3.83	4.98	4.02	1.00	8.88	12.40	1.74	.669	0.88	5.00	F10	M10xP1.5	4.02	47	69
4	4.00	9.00	12.00	3.62	5.12	4.82	1.44	9.63	20.31	2.44	.669	1.13	6.19	F10	M10xP1.5	4.02	76	88

Size	D Flow Dia.	Face-to-Face Dim. BL		Dim. BL1		h	h2	H	L	C	SW	d1	Raised Face Dia. (R)	ISO Flange	ISO Bolt Size Metric	ISO Bolt Circle	Weight (pounds)	
		Cl. 150	Cl. 300	Cl. 150	Cl. 300												Cl. 150	Cl. 300
6	6.00	15.50	15.88	7.28	8.46	7.87	1.94	13.60	23.62	3.78	1.417	1.89	8.50	F14	M16x2.0	5.51	193	267
8	8.00	18.00	19.75	7.28	9.37	10.04	2.00	-	-	4.13	1.811	2.36	10.62	F16	M20x2.5	6.50	371	517

Flange Data

Size	Flange Dia. (F)		No. of Flange Bolt Holes		Dia. of Flange Bolt Holes		Dia. of Flange Bolt Circle	
	Cl. 150	Cl. 300	Cl. 150	Cl. 300	Cl. 150	Cl. 300	Cl. 150	Cl. 300
1/2	3.50	3.75	4	4	0.62	0.62	2.38	2.62
3/4	3.88	4.62	4	4	0.62	0.75	2.75	3.25
1	4.25	4.88	4	4	0.62	0.75	3.12	3.50
1 1/2	5.00	6.12	4	4	0.62	0.88	3.88	4.50
2	6.00	6.50	4	8	0.75	0.75	4.75	5.00
3	7.50	8.25	4	8	0.75	0.88	6.00	6.62
4	9.00	10.00	8	8	0.75	0.88	7.50	7.88
6	11.00	12.50	8	12	0.88	0.88	9.50	10.62
8	13.50	15.00	8	12	0.88	1.00	11.75	13.00

Parts For 6 & 8 Inch Valves Only

No.	Part Description	Carbon	Stainless
5	S2 Stem Seal Ring	CMP	CMP
16	Bearing, Stem	25% Glass Filled PTFE	25% Glass Filled PTFE
	<i>Fire Tested Bearing, Stem</i>	<i>Nickel Plated SST Bearing</i>	<i>Nickel Plated SST Bearing</i>
17	Anti-Extrusion Ring	316SS	316SS

Parts & Materials

No.	Part Description	Carbon	Stainless
1	Body	ASTM A216. WCB	ASTM A351. CF8M
2	Tail	ASTM A216. WCB	ASTM A351. CF8M
3	Ball	316SS	316SS
4	Stem	316SS	316SS
4A	Anti-Static Ball	316SS	316SS
4B	Anti-Static Spring	316SS	316SS
5	S2 Stem Seal Ring	PTFE	PTFE
6	Packing Set	PTFE	PTFE
	<i>Fire Tested Packing Set</i>	<i>Graphite</i>	<i>Graphite</i>
7	Soft Seat Seal Ring	CMP	CMP
8	Body Gasket - Inner Seal	PTFE	PTFE
9	Body Gasket - Outer Seal	GRAPHITE	GRAPHITE
10	Gland	316SS	316SS
11	Spring Washer	SST	SST
12	Nut	ASTM A194. 2HM	ASTM A194. 8M
13	Stud	ASTM A193. B7M	ASTM A193. B8M
14	Stem Nut	ASTM A194. 8M	ASTM A194. 8M
15	Locking Washer	304SS	304SS

Three-Piece Body / ANSI B16.34 / Class 150, 300 & 600

Reduced Port 3/4 to 2 inch

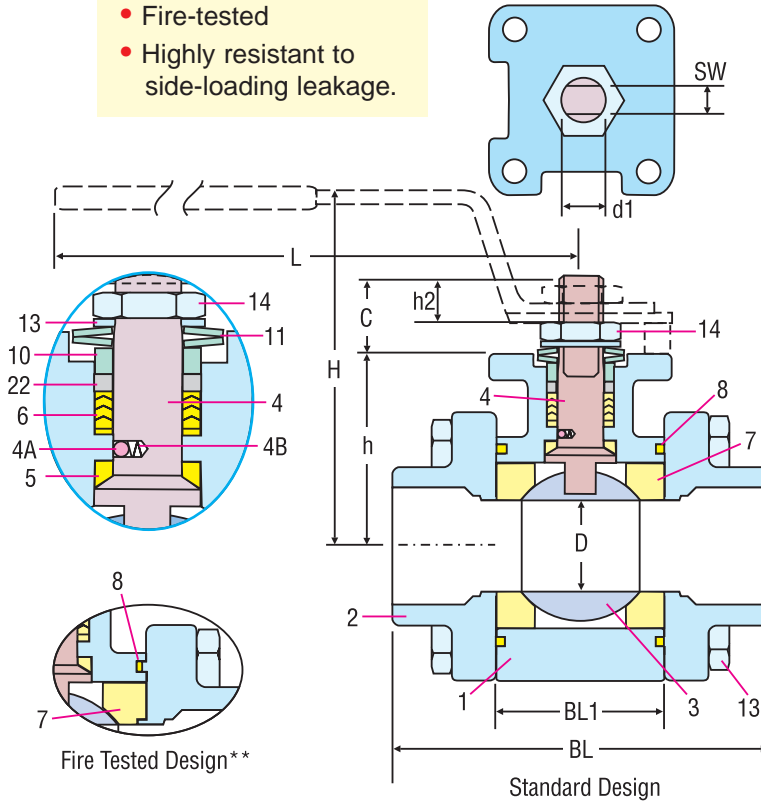
Xomox Figure Numbers:
Class 600 - **536R**

Full Port 1/2 to 2 inch

Xomox Figure Numbers:
Class 600: 1/2" - 1 1/2" - **536F**
Class 300: 2" - **533F**

The exclusive, patented S2 stem design is:

- Blow-out proof
- Fire-tested
- Highly resistant to side-loading leakage.



The three piece body is designed for easy in-line maintenance.*

* Non FT valves only.

Parts & Materials

No.	Part Description	Carbon	Stainless
1	Body	ASTM A216 WCB	ASTM A351 CF8M
2	End Caps	ASTM A216 WCB	ASTM A351 CF8M
3	Ball	316SS	316SS
4	Stem	316SS	316SS
4A	Anti-Static Ball	316SS	316SS
4B	Anti-Static Spring	316SS	316SS
5	S2 Stem Seal Ring	PTFE	PTFE
6	Packing Set	PTFE Graphite**	PTFE Graphite**
7	Soft Seat Seal Ring	CMP	CMP
8	Body Gasket	PTFE Graphite**	PTFE Graphite**
10	Gland	316SS	316SS
11	Spring Washer	SST	SST
13	Bolt (Body Joint)	ASTM A193 B7M	ASTM A193 B8M
14	Stem Nut	ASTM A194 Gr8	ASTM A194 Gr8
15	Locking Washer	304SS	304SS
22	Thrust Washer	50% TFE 50% SST	50% TFE 50% SST

Reduced Port

Size	D Flow Dia.	C	h2	L	SW	d1	H	h	Face To Face BL	BL1	ISO 5211	ISO Bolt Size	Wt. lbs.
3/4	.59	.67	.35	5.31	.25	.38	3.31	1.52	2.82	.99	F04	M5xP.8	1.90
1	.79	.67	.35	5.31	.25	.38	3.46	1.65	3.80	1.27	F04	M5xP.8	3.26
1 1/2	1.26	.79	.47	6.50	.31	.44	3.98	2.19	4.61	1.94	F05	M6xP1.0	6.08
2	1.57	.92	.55	7.87	.37	.63	4.61	2.58	5.08	2.25	F07	M8xP1.25	8.82

Full Port

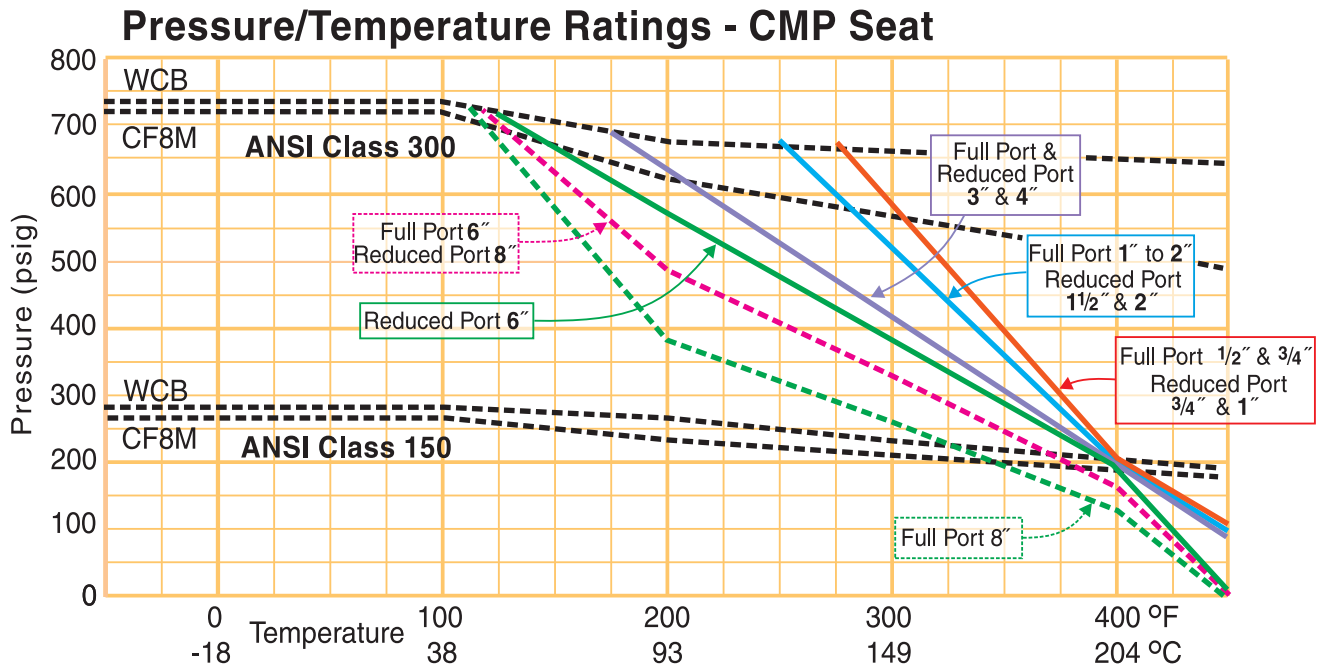
Size	D Flow Dia.	C	h2	L	SW	d1	H	h	Face To Face BL	BL1	ISO 5211	ISO Bolt Size	Wt. lbs.
1/2	.59	.67	.35	5.31	.25	.38	3.31	1.52	2.82	.99	F04	M5	2.20
3/4	.79	.67	.35	5.31	.25	.38	3.46	1.65	3.80	1.27	F04	M5	3.31
1	.98	.79	.47	6.50	.31	.44	3.86	2.03	4.29	1.67	F05	M6	4.45
1 1/2	1.50	.92	.55	7.87	.37	.63	4.61	2.58	5.08	2.25	F07	M8	9.08
2	2.00	.92	.51	7.87	.37	.63	4.61	2.93	5.59	2.81	F07	M8	14.93

** Fire tested valves

Actuator Sizing Torques Torques in IN-LBS

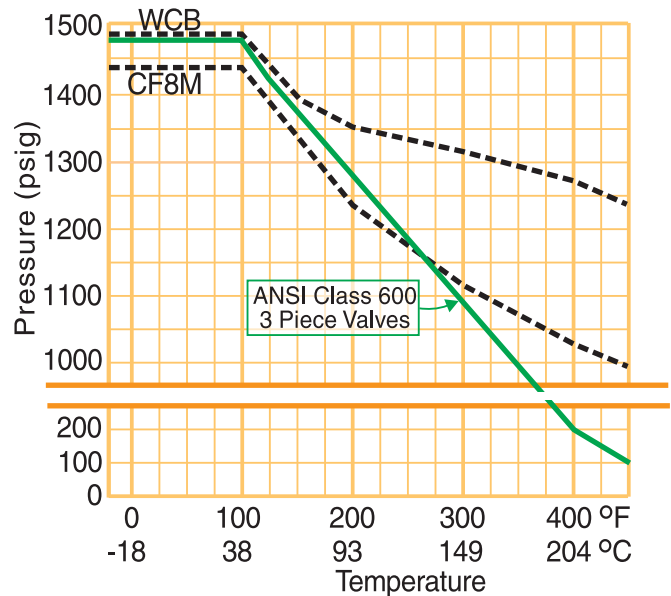
Valve Size		Maximum Differential Pressure, psi . . . Seat Material: CMP									
Reduced Port	Full Port	0-100	200	285	400	500	600	740	1000	1200	1480
3/4	1/2	45	45	45	45	45	47	50	53	56	60
1	3/4	60	60	60	60	66	73	80	83	86	90
	1	90	90	90	90	96	103	110	116	123	130
1 1/2		130	130	130	130	142	155	170	185	200	220
2	1 1/2	225	225	225	225	240	265	290	325	360	400
	2	380	380	380	400	425	450	480	-	-	-
3		500	500	500	550	610	675	750	-	-	-
4	3	750	750	750	890	1,050	1,250	1,480	-	-	-
	4	1,980	1,980	1,980	2,175	2,400	2,650	2,950	-	-	-
6		2,175	2,175	2,175	2,450	2,775	3,150	3,600	-	-	-
8	6	4,475	4,475	4,475	5,100	5,800	6,600	7,550	-	-	-
	8	9,550	9,550	9,550	10,450	11,400	12,450	13,625	-	-	-

Note: Torques are for clean and clear fluids.



Cv Factors

Valve Size	Classes 150 & 300	Classes 150 & 300	Class 600	Class 600
	Full Port	Reduced Port	Full Port	Reduced Port
1/2	30	-	25	-
3/4	51	16	50	19
1	95	35	80	42
1 1/4	-	-	150	60
1 1/2	255	105	240	125
2	440	120	460	165
3	1,240	380	-	-
4	2,150	650	-	-
6	5,500	1,650	-	-
8	9,950	1,950	-	-



How To Specify

Figure Number

Size Product Configuration ANSI Class Port End Connection Stem Seal Option Body Ball Stem Packing Seat Style Seat Operator Service

1" - 5 - 2 - 1 - R - - - 2 - 6 - 6 - T - A - P16 - L N

Size
See the Quick Reference Table below.

Product
Standard Ball Valve... **5**

Configuration

- 1 Piece Body ... **1**
- 2 Piece Body ... **2**
- 3 Piece Body ... **3**

ANSI Class

- Class 150 ... **1**
- Class 300 ... **3**
- Class 600 ... **6**

Port

- Reduced ... **R**
- Full ... **F**

End Connection

- Raised Face Flanged —
- Screwed End ... **SE**
- Socket Weld* ... **SW**
- Butt Weld ... **BW**

Stem Seal Option

- Standard Stem Nut Adjustment ... —
- FEM Unit ... **FM**

Body

- Carbon Steel (WCB) ... **2**
- 316 Stainless Steel (CF8M) ... **6**

Service

- Nace ... **N**
- Oxygen ... **O**
- Chlorine ... **C**

Operator

- None ... **N**
- Lever With Locking Device ... **L**
- Locking Latching Lever ... **LL**
- Extended Lever ... **E**
- Gear ... **G**
- Gear With Locking Device ... **GL**
- Automated (Specify) ... **A**

Seat

- TFM (Standard) ... **P16**
- Other (Specify) ... **Z**

Seat Style

- Soft Style ... **A**

Packing

- PTFE V-Ring ... **T**
- Graphite ... **G**

Stem

- 316 Stainless Steel (CF8M) ... **6**

Ball

- 316 Stainless Steel (CF8M) ... **6**

*Schedule 40 only.

Consult factory for alternate materials.

Body Configuration	Port	ANSI Pressure Class	Size							Enclosed		Tufline Figure Number
			1/2	3/4	1	1 1/2	2	3	4	6	8	
1-Piece Flanged	Reduced	150		●	●	●	●	●	●			511R
		300		●	●	●	●	●	●			513R
2-Piece Flanged	Full	150	●	●	●	●	●	●	●	●	●	521F
		300	●	●	●	●	●	●	●	●	●	523F
	Reduced	150								●	●	521R
		300								●	●	523R
3-Piece Screwed End Socket Weld End Butt Weld End	Full	300						●				533F
		600	●	●	●	●						536F
		600	●	●	●	●	●					536R

Xomox & Matryx® Actuators.

Tufline Valves are available as part of a complete valve package.

Actuators are available in three models:

- Double acting vane
- Rack & pinion spring return
- Electric

Tufline automated valve packages assure you of single-source responsibility for flow control equipment.

With Tufline valves, Matryx and Xomox actuators, Xomox control accessories, and Tufline problem solving expertise, you are assured of valve packages that will provide optimum performance in your application.

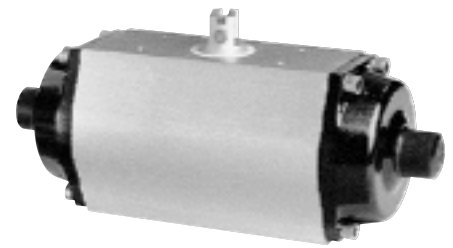
Comprehensive side-by-side testing confirms that the Matryx and Xomox rack and pinion actuators provide longer service life with more consistent torque.

Solid performance data means processors can size actuators with more of a confidence factor and less of a "fudge-factor". Initial cost, repair costs, replacement costs, and costly downtime can all be reduced.

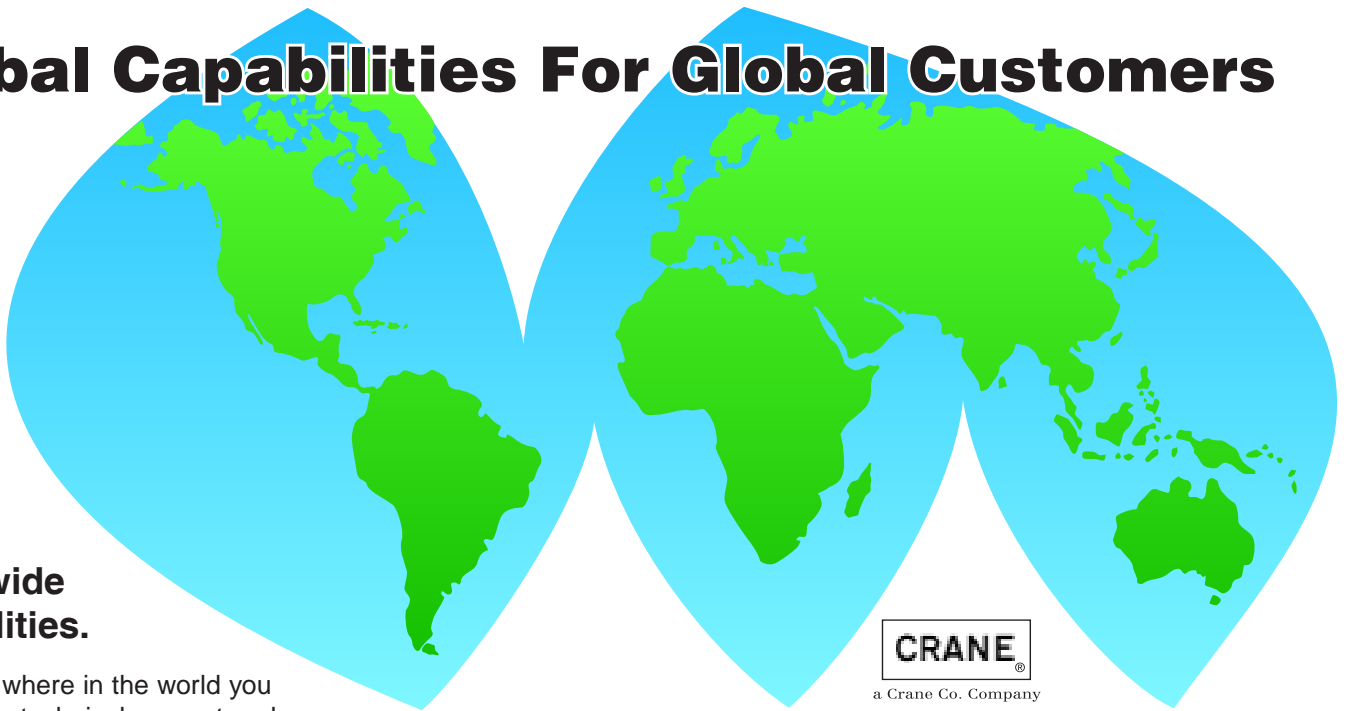
Rack and pinion actuators are available in both double-acting and spring-return models with both 90° and 180° rotation.

Xomox Automation & Service Centers.

Strategically located Xomox Automation & Service Centers provide a variety of services. These range from standard repair to major modification and accessory packaging.



Global Capabilities For Global Customers



Worldwide capabilities.

No matter where in the world you are, Xomox technical support and services are available from:

- 16 Manufacturing Facilities
- 18 Service Centers
- 50 Sales Offices
- More than 200 Xomox Authorized Distributors

Product selection.

Xomox offers the broadest line of process valves, actuators, accessories, and related services including:

- Tufline® Process Valves
- Saunders Diaphragm Valves
- Matryx® Rack & Pinion, Vane Actuators
- Xomox XRP™ Actuators

Product responsibility.

Xomox's concern for product performance extends to the product's period of service. We feel it is important for users to also be aware of their responsibilities. Our products are manufactured and used in numerous applications with a wide variety of service conditions. While general guidelines are often furnished, it obviously is not possible to provide complete and specific performance data for every conceivable

Global locator.

For a listing of Xomox Manufacturing Facilities, Service Centers, Regional Offices, and Authorized Distributors, visit our web site www.xomox.com.

Xomox literature.

All Xomox catalogs and technical data are available as PDF files at www.xomox.com.

Phone support.

Call your nearest Xomox Sales Office or the Xomox World Headquarters:
Phone: 513-745-6000
Fax: 513-745-6093

CRANE®

a Crane Co. Company

Corporate strength.

Xomox is a Crane Co. company. Through the Crane Co. association, Xomox offers even greater global capabilities and breadth of product lines.

Xomox Corporation

World Headquarters
4444 Cooper Road
Cincinnati, Ohio 45242

XOMOX®
Process Valves & Actuators

able service condition. Therefore, the end user must assume final responsibility for proper evaluation, application and performance of all products. The contents of this document are presented for information purposes only. Every effort has been made to ensure accuracy. This information is not intended to be construed as warranties or guarantees, expressed or implied, nor imply use applicability, for products or services described herein. We reserve the

right to modify or improve the designs and specifications of such products at any time without notice. As the manufacturer, Xomox sells its products and services pursuant to its standard terms and conditions of sale, including its limited warranty, copies of which are available upon request. Xomox limits its liability specifically to the replacement or repair of defective items, or to a refund for same. Xomox does not accept liability for any incidental or consequential damages.